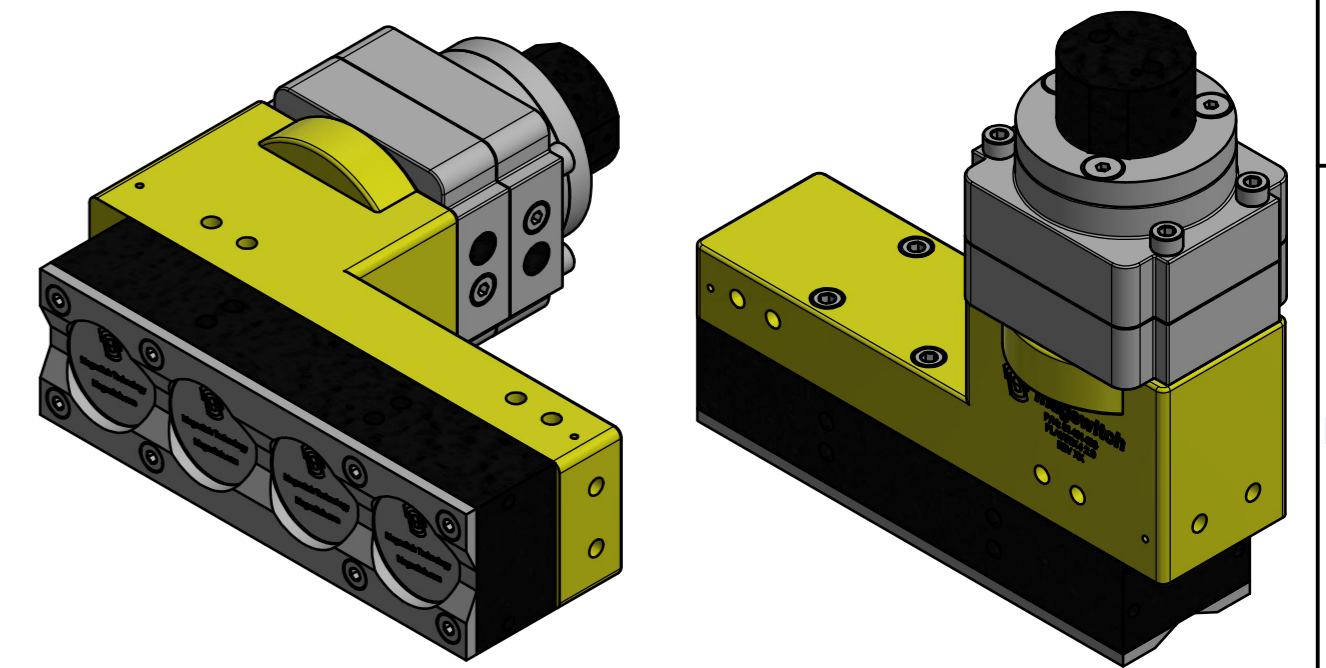
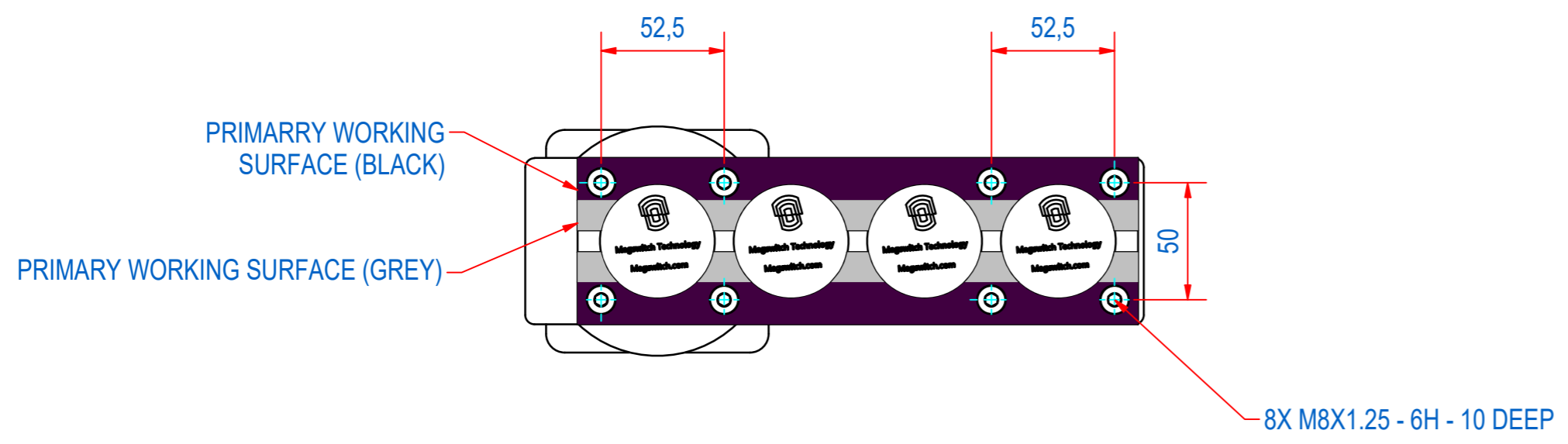
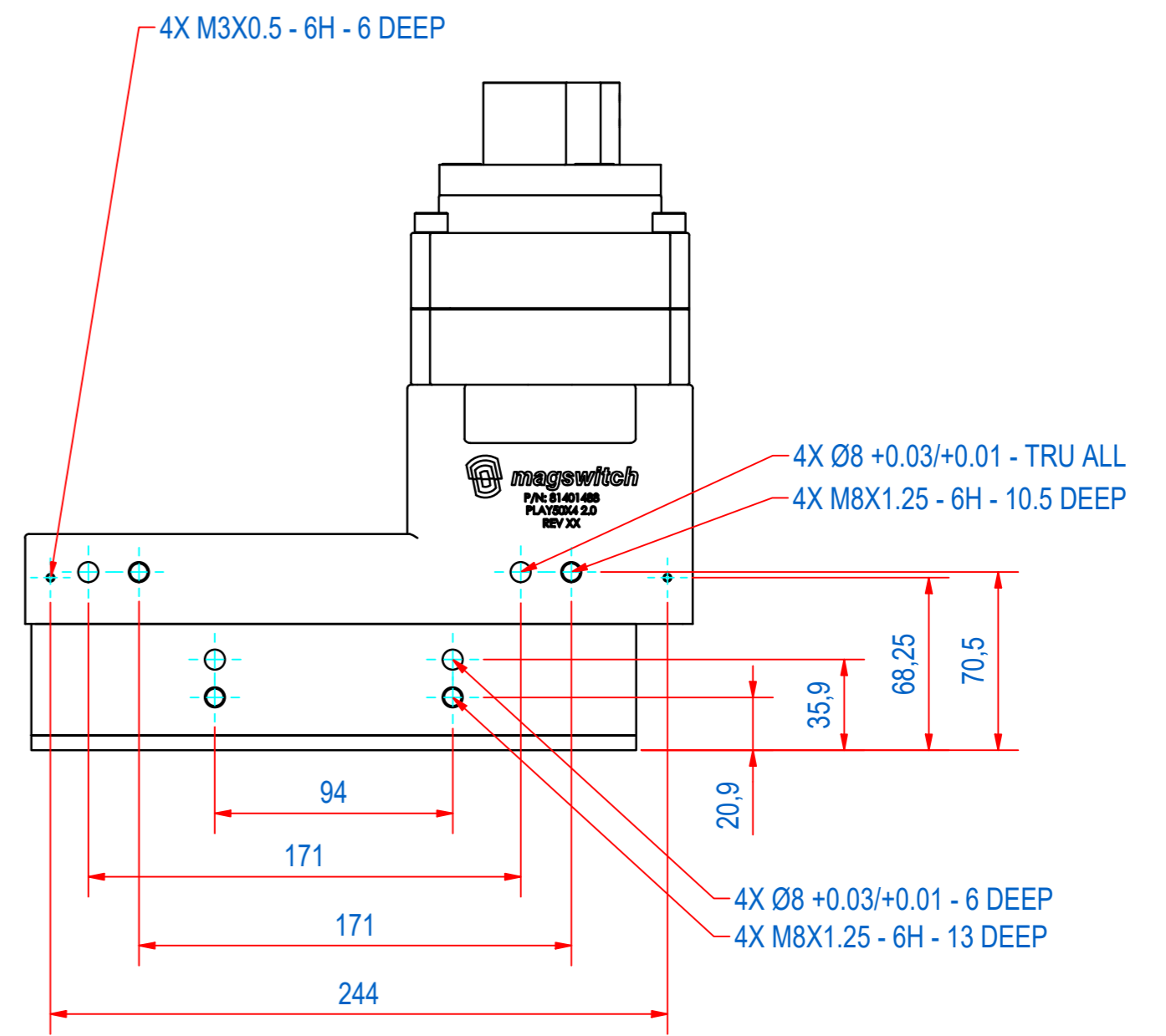
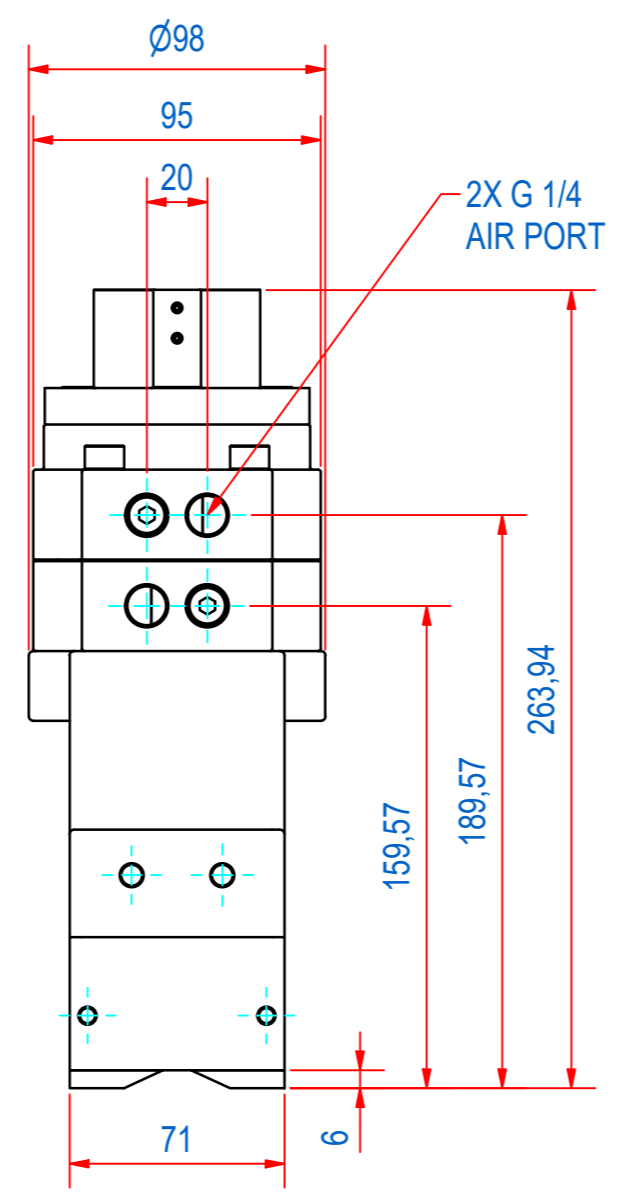
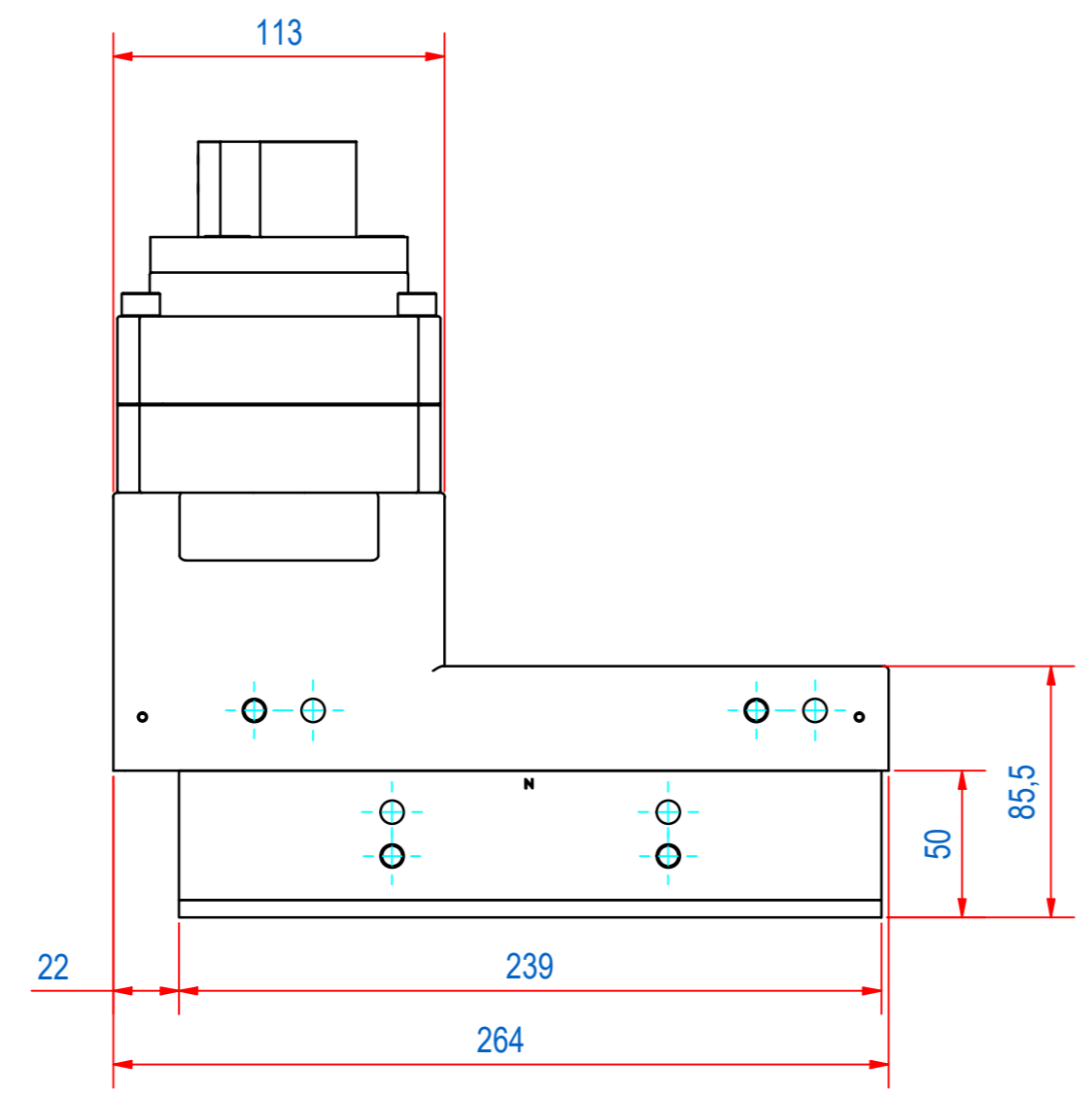
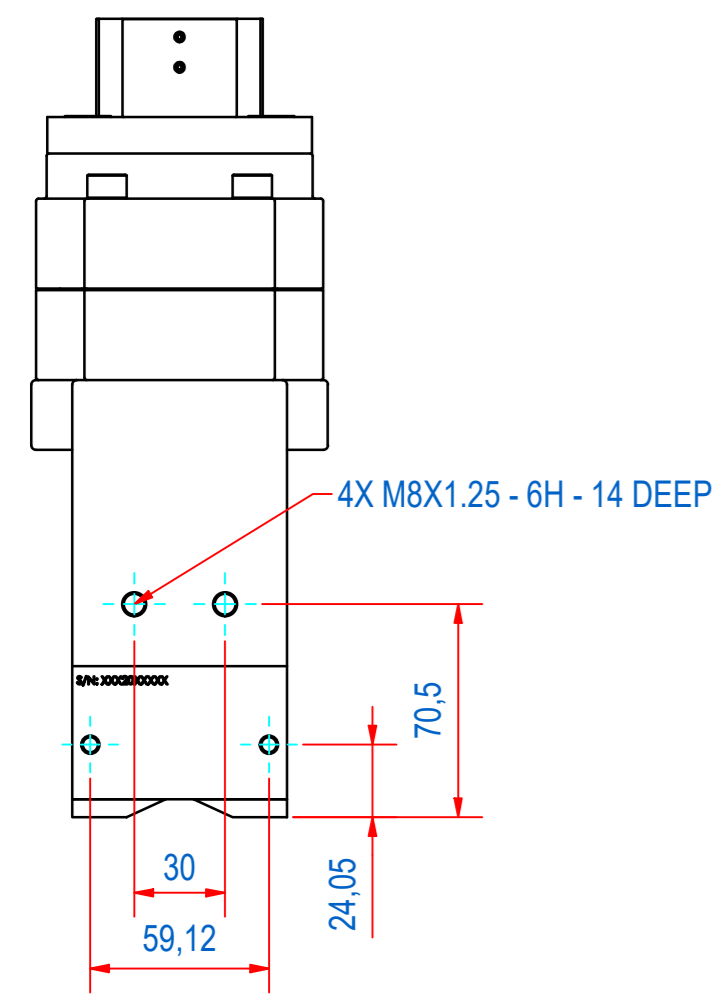
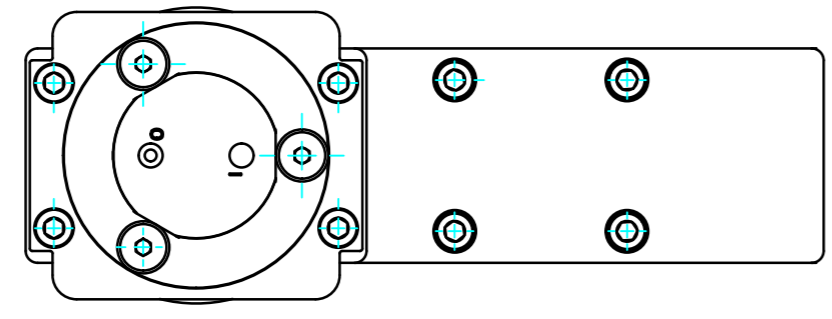


3	2	1
DOC.NR.	REV	DATE
MS-81401488	-	06/01/2026
BY	DESCRIPTION	
PB	INITIAL DRAWING	



RAW MAT.	1	Quantity	Material Number	Material Description	Length (mm)	Width (mm)
Symbol	Sheet:	A2	Extra info:	General tolerance:	ISO 2768 - mK	
Drawn:	Weight (kg):	11		Drawn according:	ISO286; ISO1101; ISO2553	
Date:	29-1-2025			Status:	Released	
Spare part:	Source:	False		Customer reference number:		
Quick search:	MS050X4			Document number:	MS-81401488	Doc.Rev:
Description:	HMS-PLAY50x4 2.0			Part number:	MS-81401488	Rev: