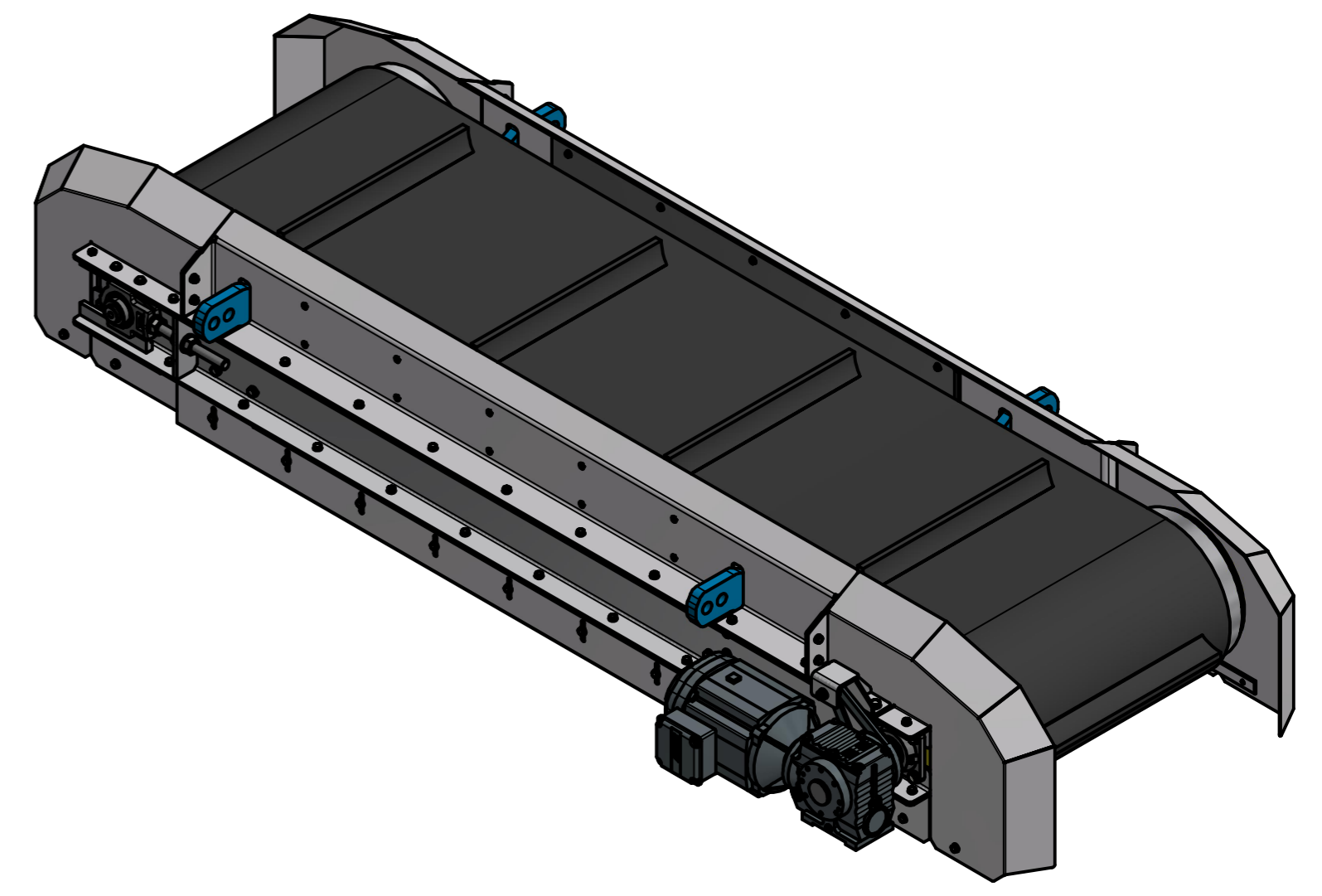
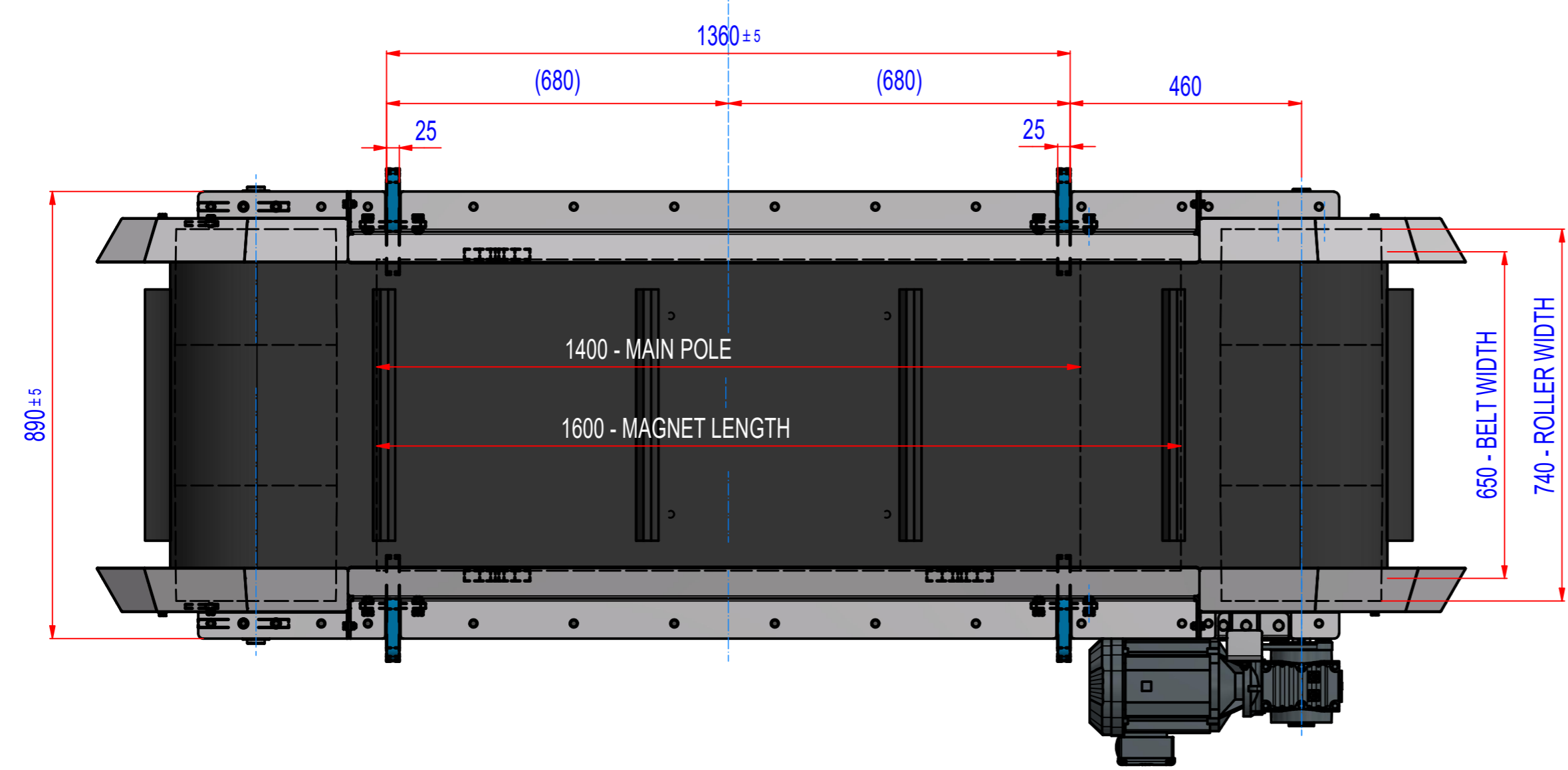
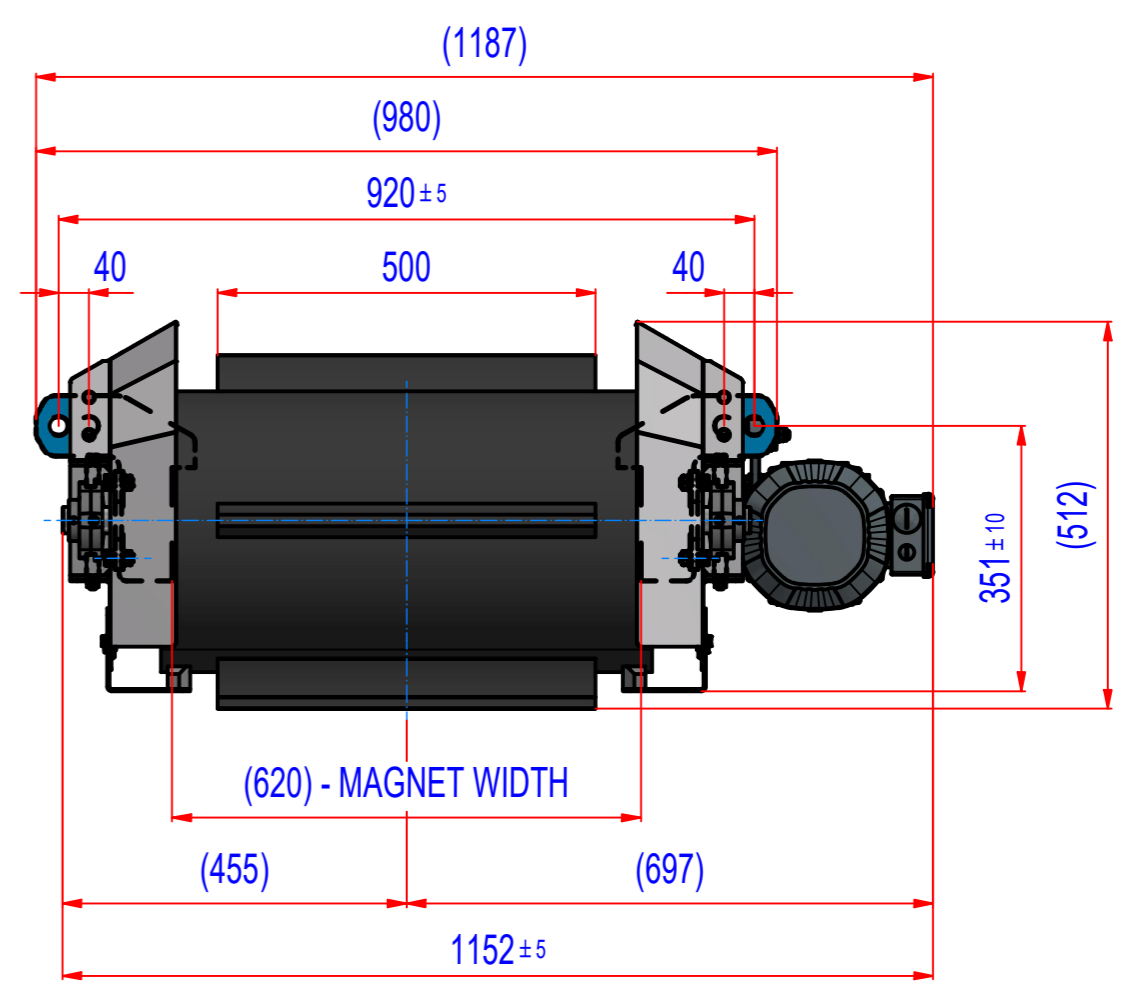
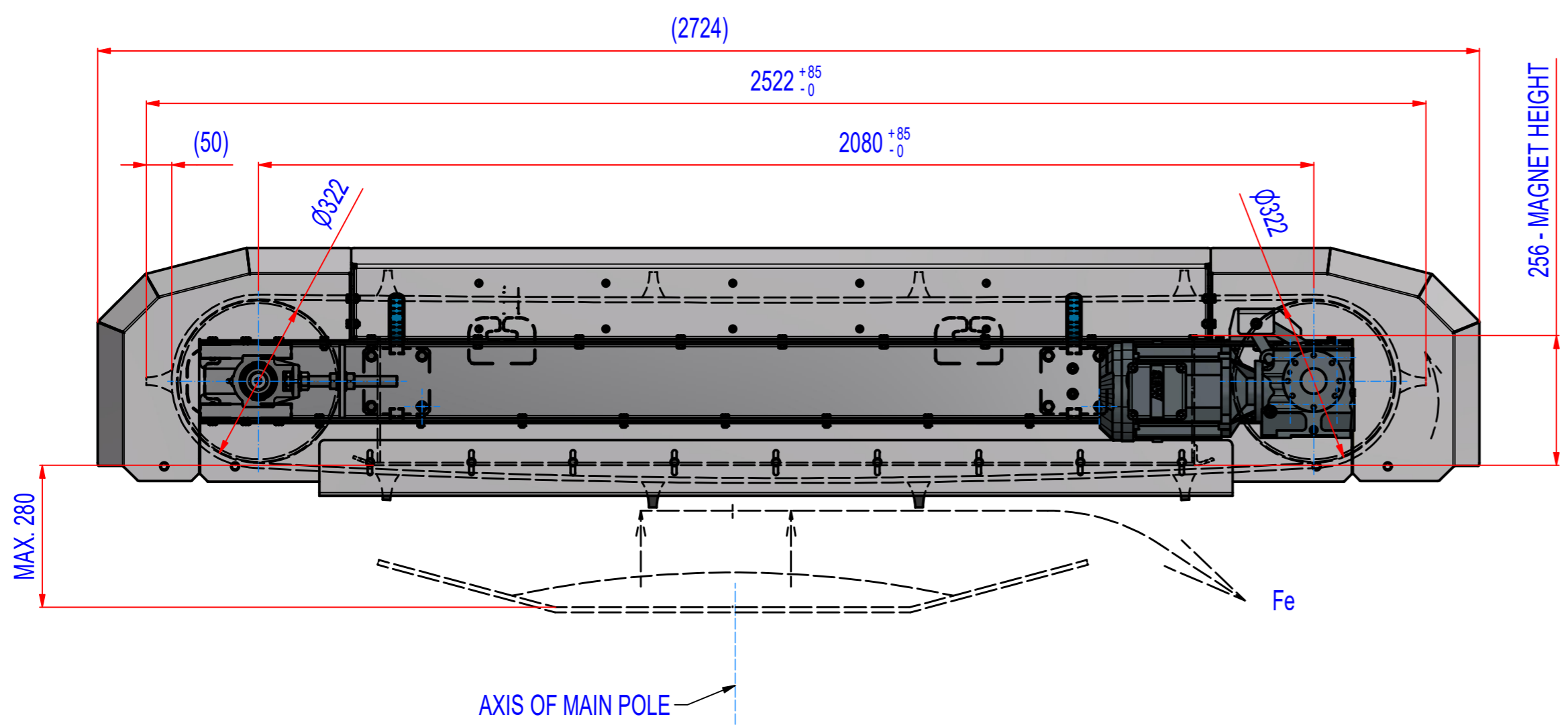


REV	DATE	BY	DESCRIPTION
-	01.06.2022	PH	Source ROFC140330, covering for mobile unit



- Geared box SEW SA57/TDRN100LS4, i=14,24 (102RPM)  
230/400V, 2,2kW, 50Hz, IP55
- Drum speed 102/min
- Belt speed 1,7 m/s
- Belt EP400, width 650, length 5200, 10 cleats T50/20, width 500

1	B375_000000	Závěsný separátor, Ferit, Vel.3, W1400	1296,5
POS.	PART NUMBER	DESCRIPTION	WEIGHT
Sheet: A2 Drawn: PH Date: 01.06.2022 Predecessor: B182_C00000 Quick search: XSPB 3 Description: Overband separator, Ferrite, size 3, W1400, gear motor		Extra info:  <b>GOUDSMIT</b> <b>MAGNETICS</b> <small>© All rights reserved. Reproduction is not permitted without written permission of GOUDSMIT Magnetic Systems BV</small>	General tolerance: ISO 2768 - cL Drawn according: ISO268; ISO1101; ISO2553 Status: Customer reference number: Product key: ROPZ-F3-C-140-W-G-R-B-B-M-NA Part number: ROFC140331 Rev: -