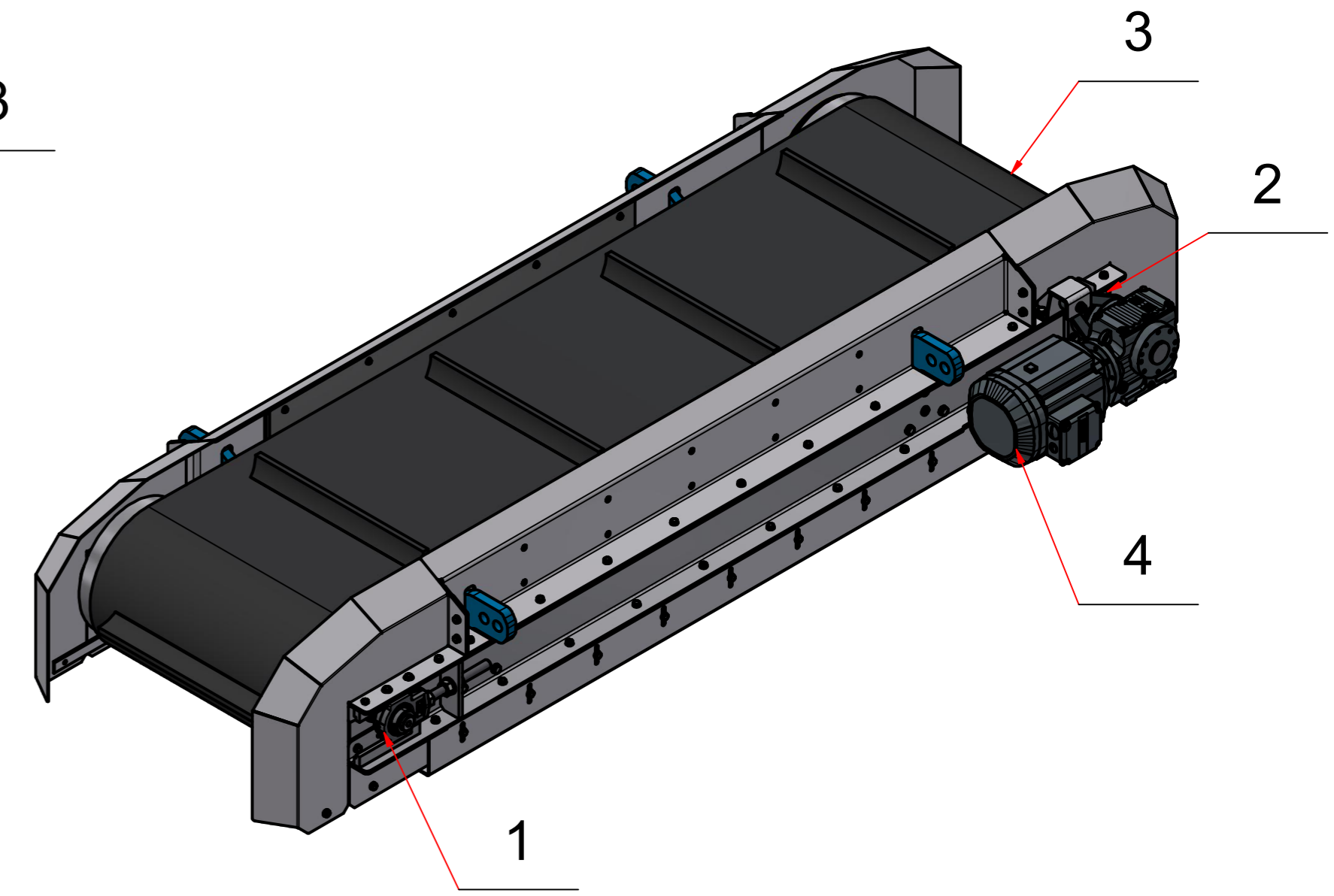
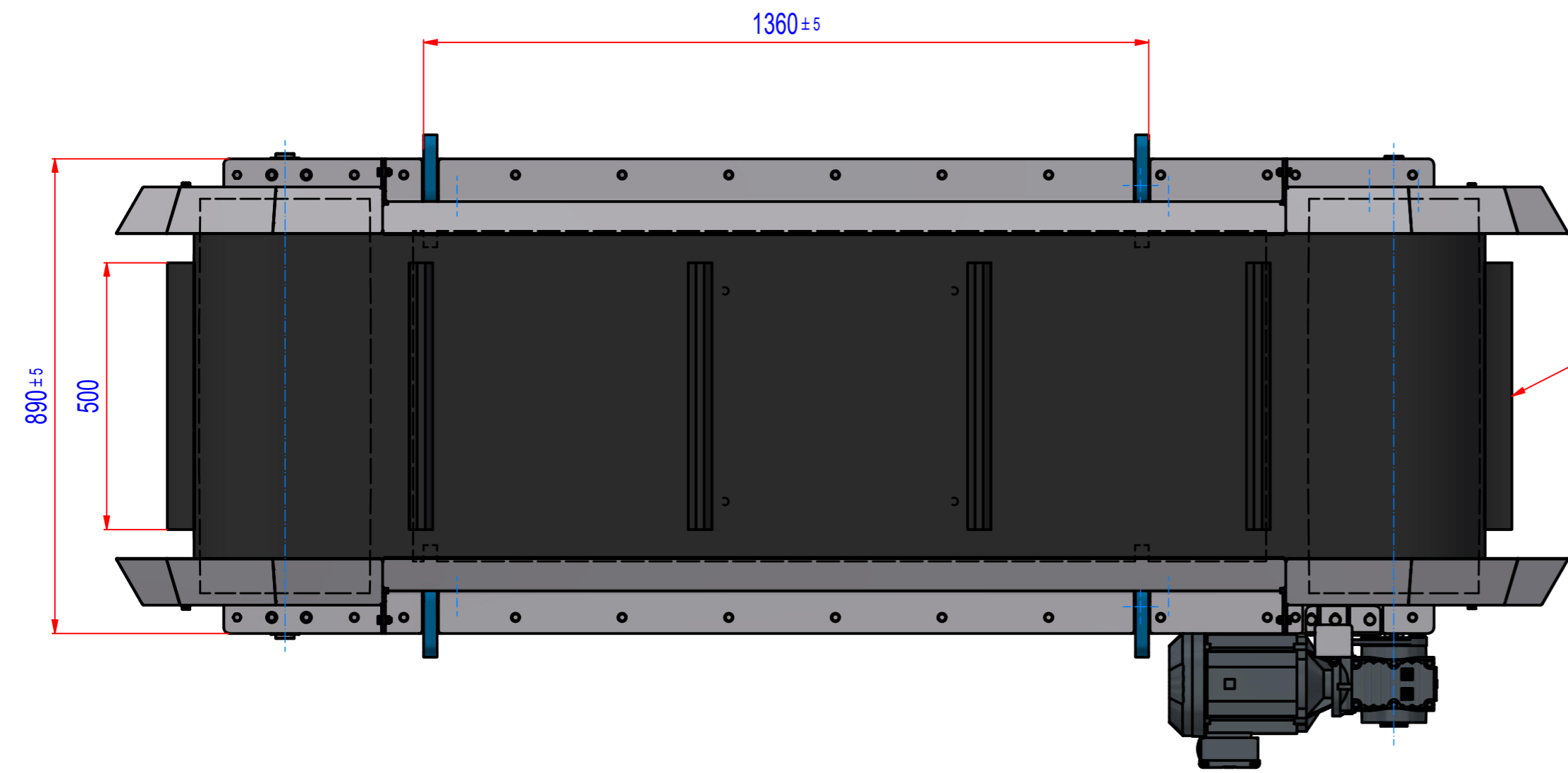
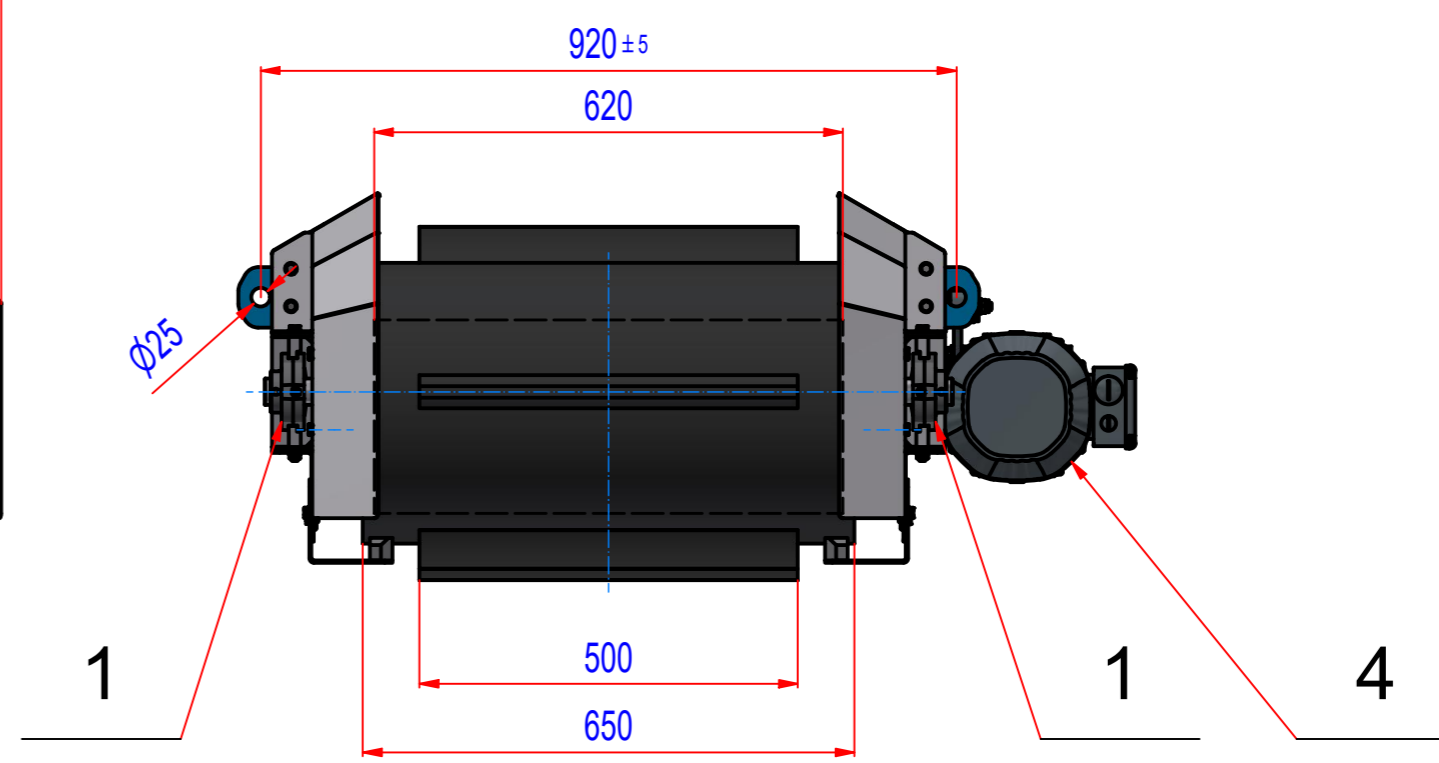
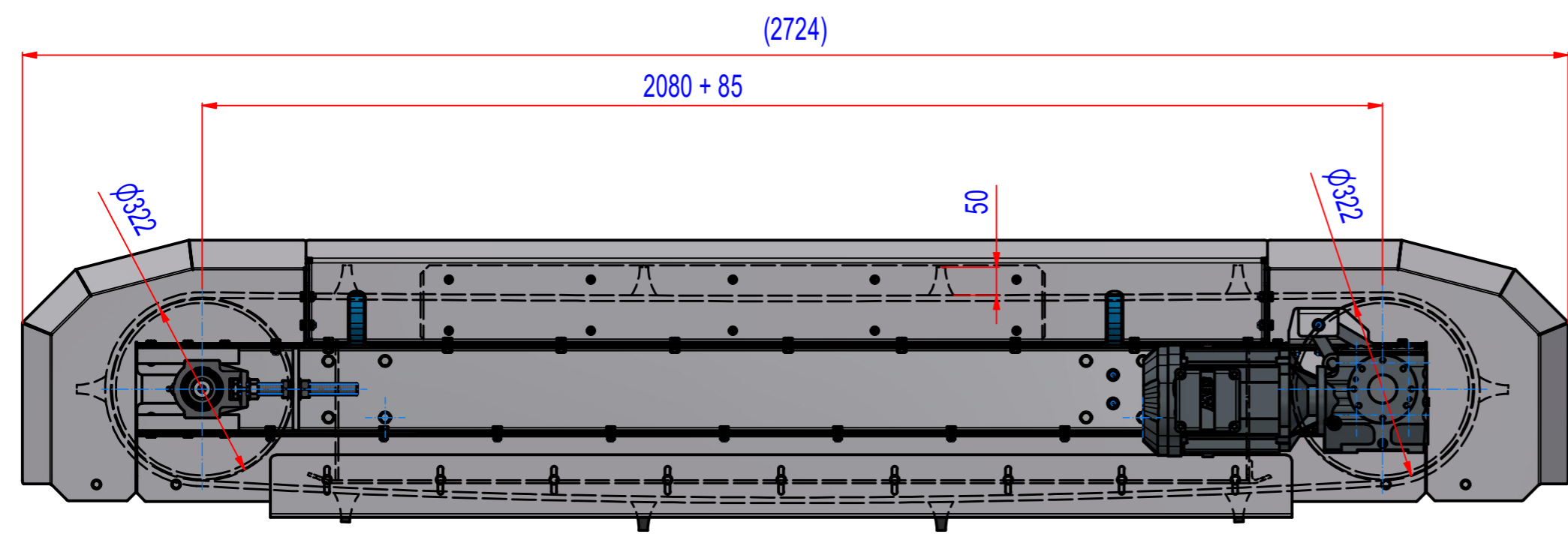


REV	DATE	BY	DESCRIPTION
-	29.05.2024	PW	Source ROFC140330, covering for mobile unit



4	MO22010009	Drive SEW SA57/TDRN100LS4, 2,2kW, 102RPM		41,3	1
3	45_4065033	BELT EP400, W=650, L=5200	RUBBER	39,5	1
2	15_8700035	BEARINGS ASSEMBLY INA PCJ 35		1,5	2
1	15_8600035	BEARINGS ASSEMBLY INA PTUE 35		1,7	2
POZ.	Č. SOUČÁSTI	POPIS	MATERIÁL	HMOT.	MN.

Sheet: A2 Drawn: PH Date: 29.05.2024 Predecessor: ROFC140330 Quick search: XSPB 3 Description: Spare parts for ROFC140331	Extra info: <small>© All rights reserved. Reproduction is not permitted without written permission of GOUDSMIT Magnetic Systems BV</small>	General tolerance: ISO 2768 - cL Drawn according: ISO268; ISO1101; ISO2553 Status: Customer reference number: Product key: ROP-F3-C-140-W-G-L-B-B-M-NA Part number: ROFC140331_SP Rev: -
--	---	--