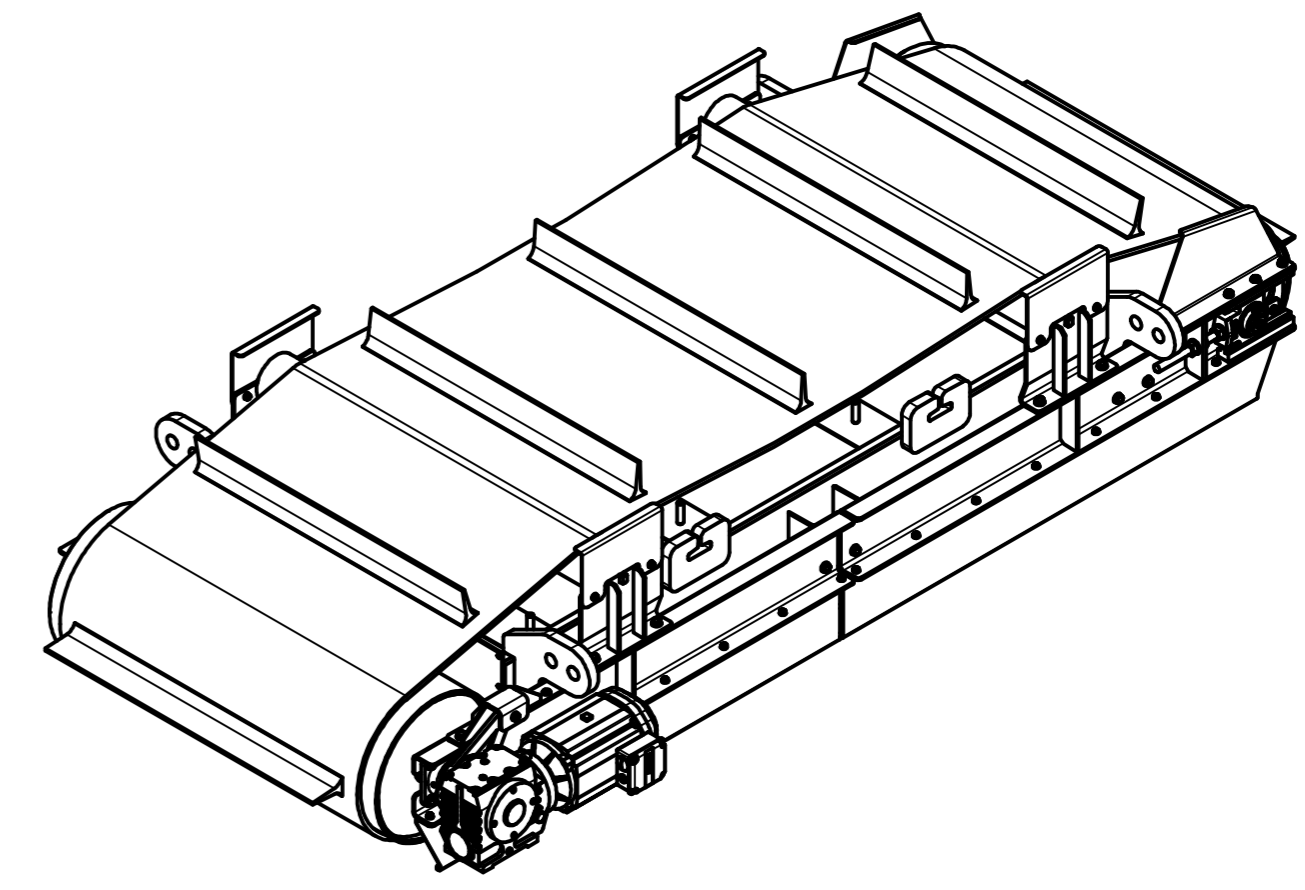
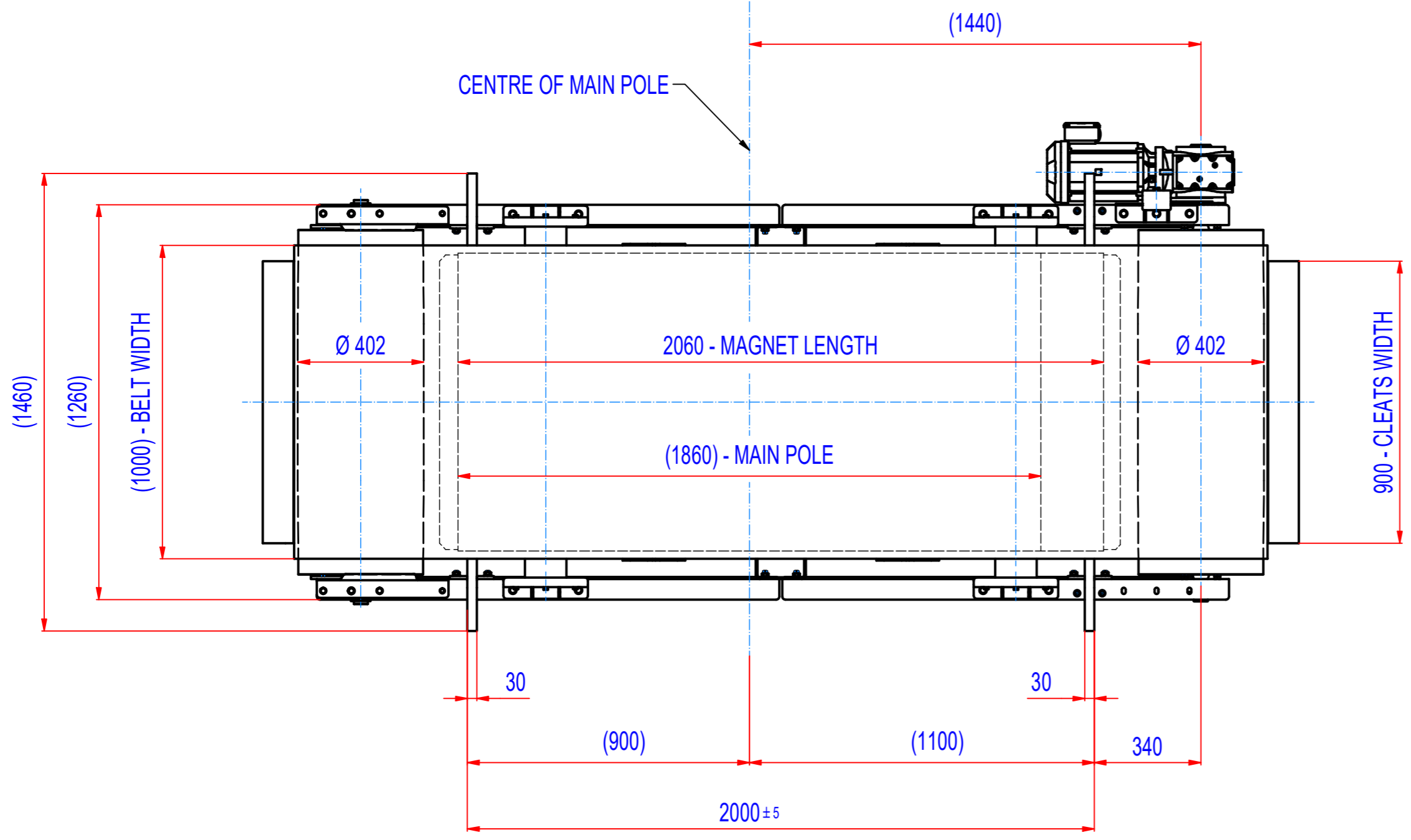
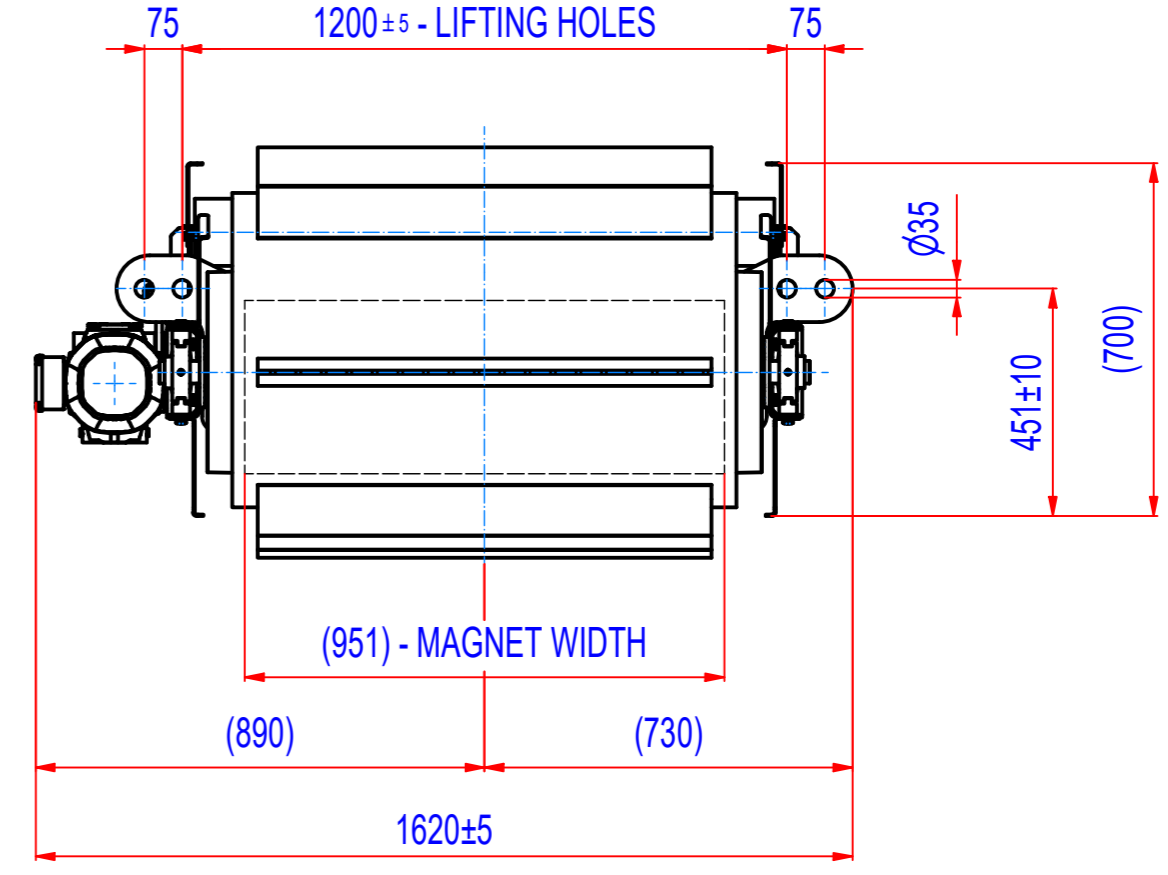
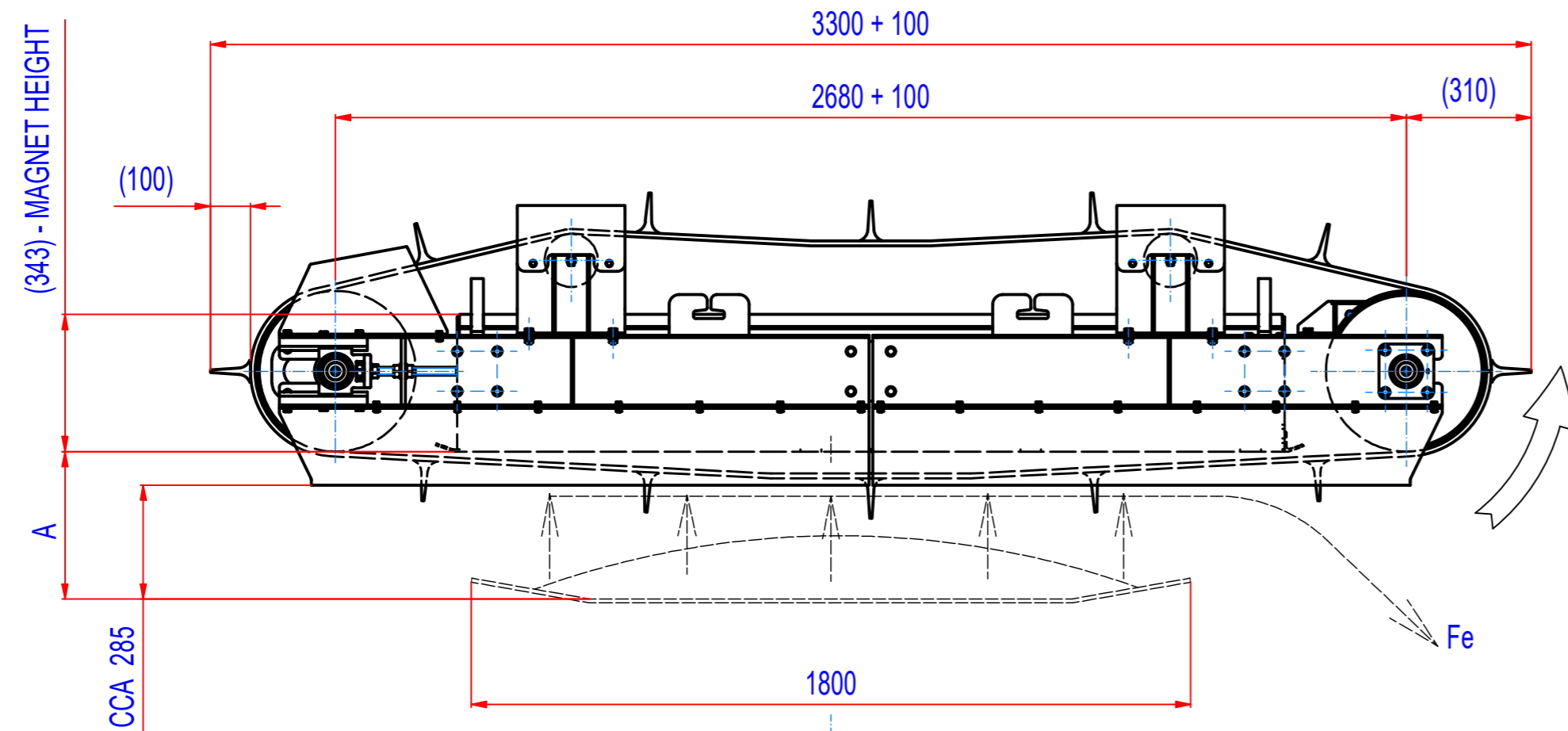


REV	BY	DATE	DESCRIPTION
-	LF	25.08.2021	ORIGINAL DRAWING
A	LF	02.10.2022	MOTOR IP55 (WAS IP54)



A = 430 mm - max. catch distance for rod Ø15, L=75 mm (VDE)
A = 370 mm - 400 Gs

- GEARED BOX SEW SA67/TDRN100L4, i=20,37 (71RPM), MOTOR 230/400V, 3kW, 50Hz, IP55
- DRUM SPEED 71/min
- BELT SPEED 1,5 m/s
- BELT EP500/4 5+2, LENGTH 6720, WIDTH 1000, 12 CLEATS T100/10, WIDTH 900

1	B364_000000	Závěsný separátor, Ferit, Vel.5, w1800, Příčný	3462,8	1	
POZ.	Č. SOUČÁSTI	POPIS	MATERIÁL	HMOT.	MN.
Sheet: A2 Drawn: LF Weight (kg): 3462,8 Date: 25.08.2021 Predecessor: SEPB180035 Quick search: XSPB 5 Description: Overband separator, Ferrite, Size 5, W1800, Cross		Extra info: <small>© All rights reserved. Reproduction is not permitted without written permission of GOUDSMIT Magnetic Systems BV</small>	General tolerance: ISO 2768 - cL Drawn according: ISO268; ISO1101; ISO2553 Status: Customer reference number: Product key: ROP-F5-C-180-W-G-L-B-B-NA Part number: ROFC180350 Rev: A		