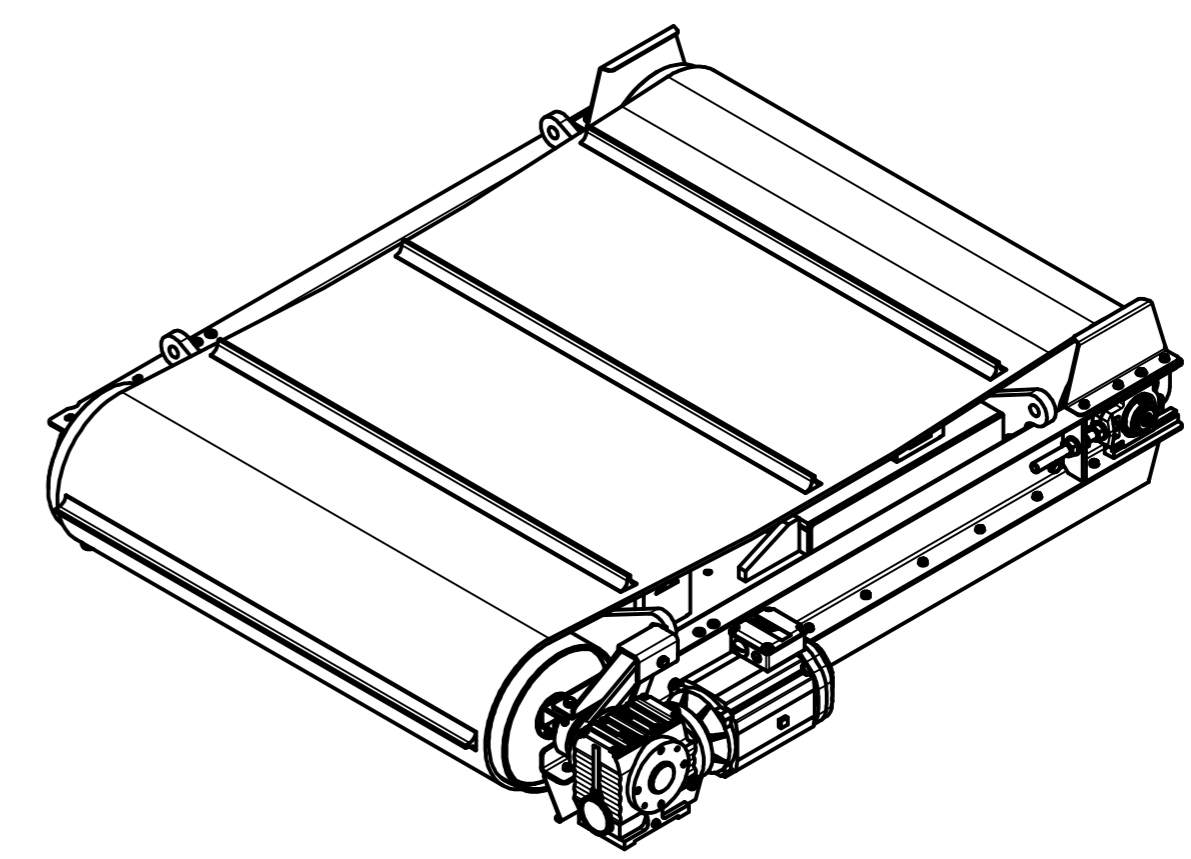
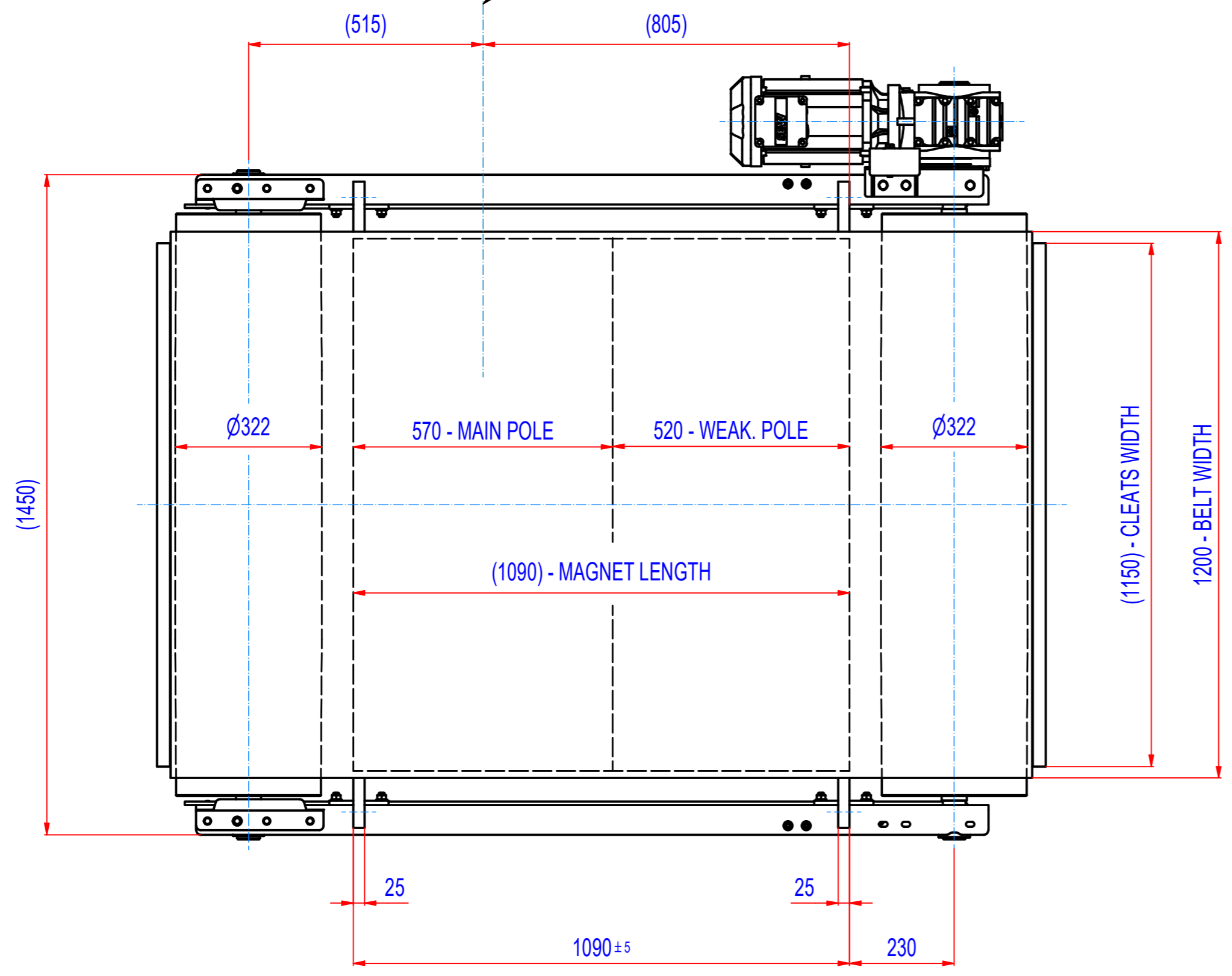
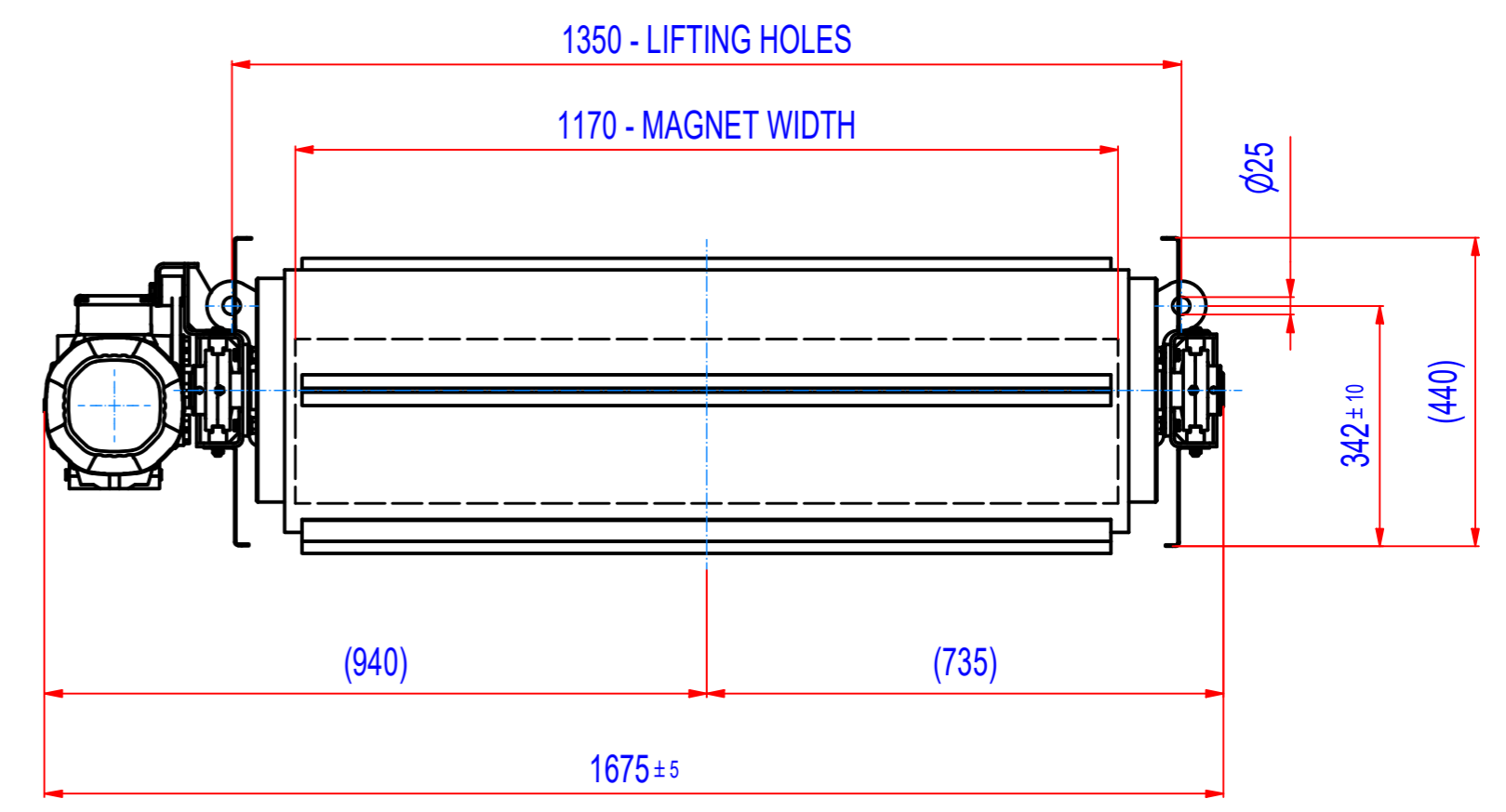
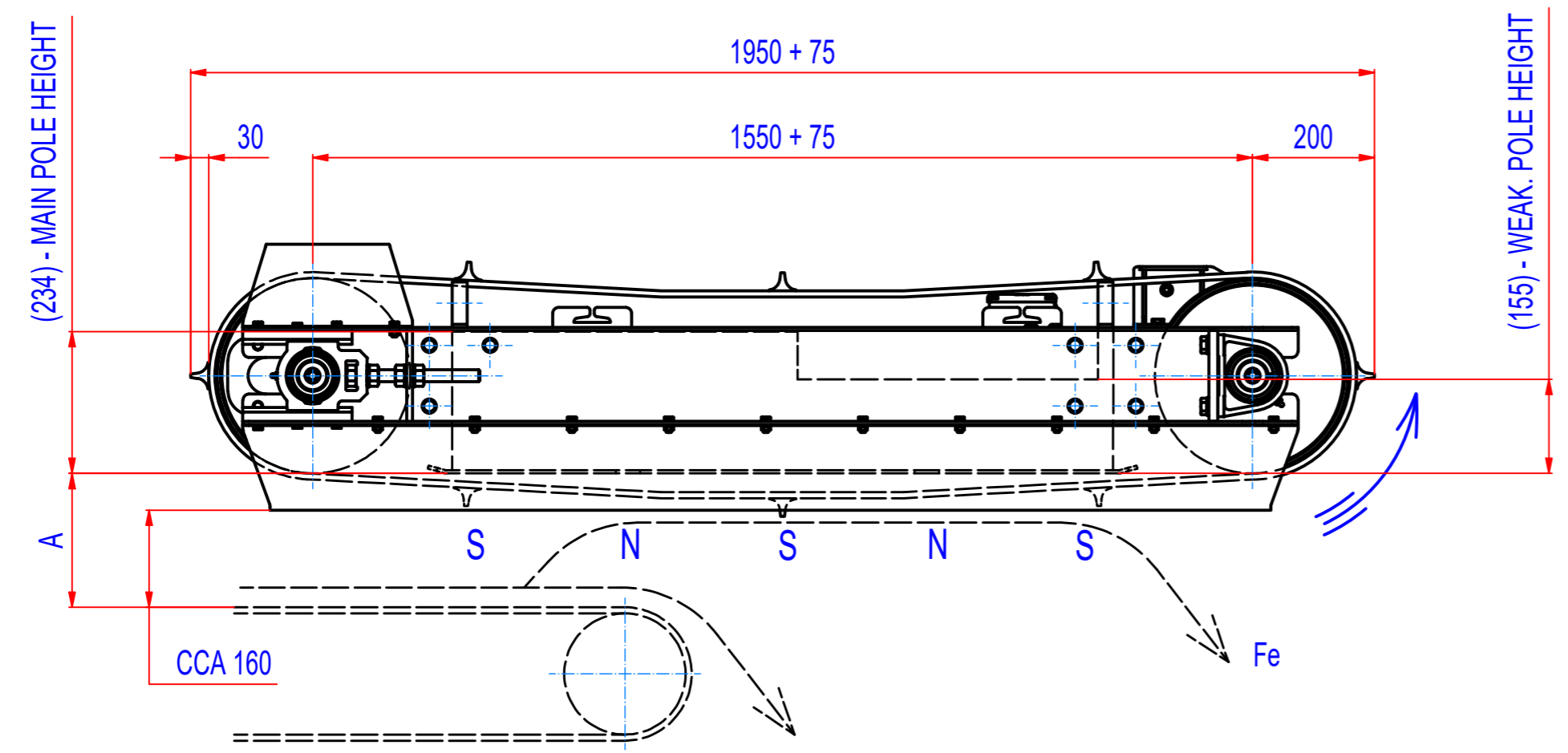


REV	DATE	BY	DESCRIPTION
-	07.03.2020	LF	ORIGINAL DRAWING, 16.01.21 - MOTOR IP55
A	31.01.2024	LF	MOTOR 3kW (WAS 2,2kW)



- GEARED BOX: SEW SA67/TDRN100L4, i=15,6 (93RPM),
 MOTOR 3 kW, 230/400V, IP55
 - DRUM SPEED 93/min
 - BELT SPEED 1,55 m/s
 - BELT EP400, WIDTH 1200, LENGTH 4170,
 8 CLEATS T30/10, WIDTH 1150

A = 310 mm - max. catch distance for rod $\phi 15$, L=75 mm (VDE)
 A = 220 mm - 400 Gs

Sheet: A2	Extra info:	General tolerance: ISO 2768 - cL
Drawn: LF	Weight (kg): 1610.7	Drawn according: ISO268; ISO1101; ISO2553
Date: 07.03.2020	Predecessor:	Status:
Quick search: XSPB 3	<p>© All rights reserved. Reproduction is not permitted without written permission of GOUDSMIT Magnetic Systems BV</p>	Customer reference number:
Description: Overband separator, Ferrite, Size 3, W1200, Inline		Product key: ROP-F3-I-120-W-G-L-B-B-NA
		Part number: ROFI120330
		Rev: A