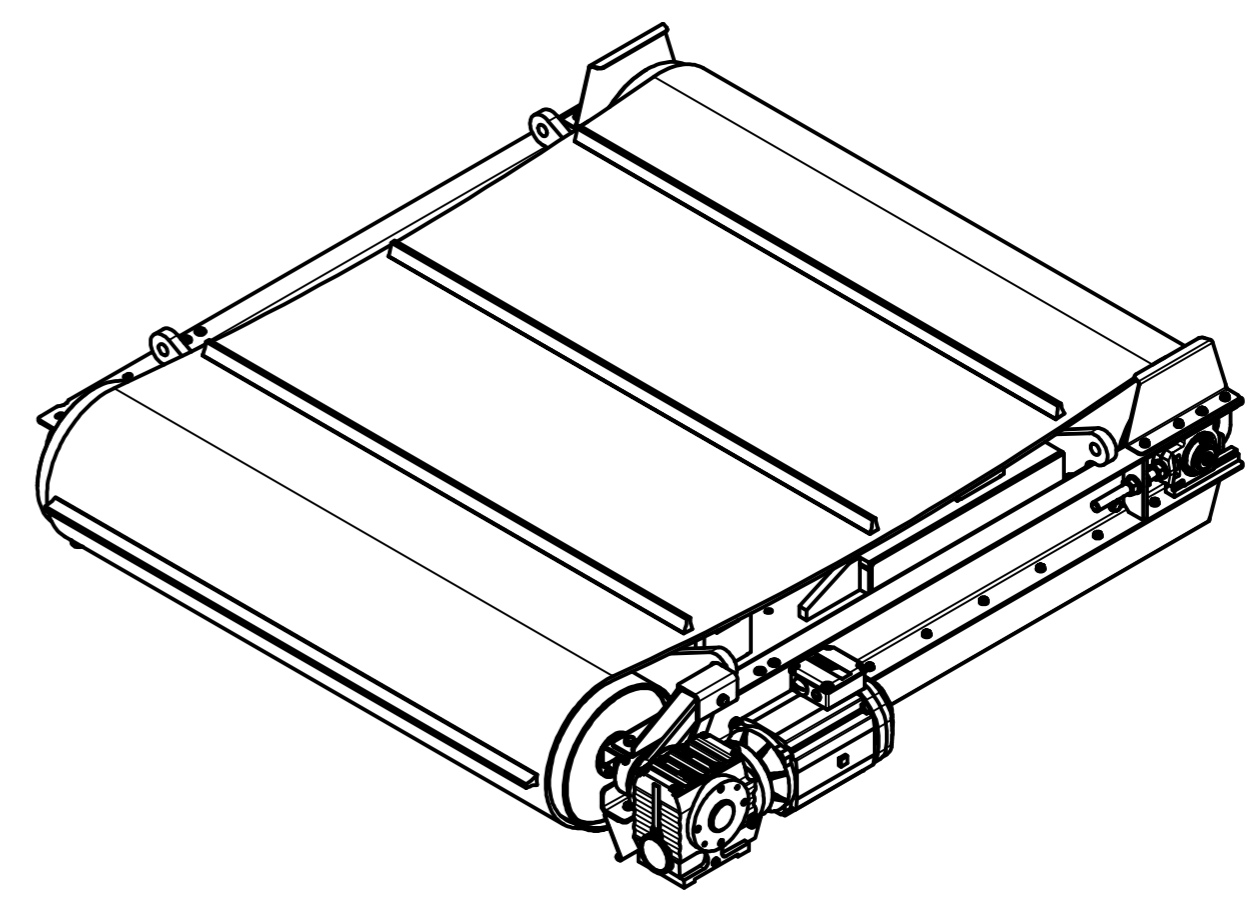
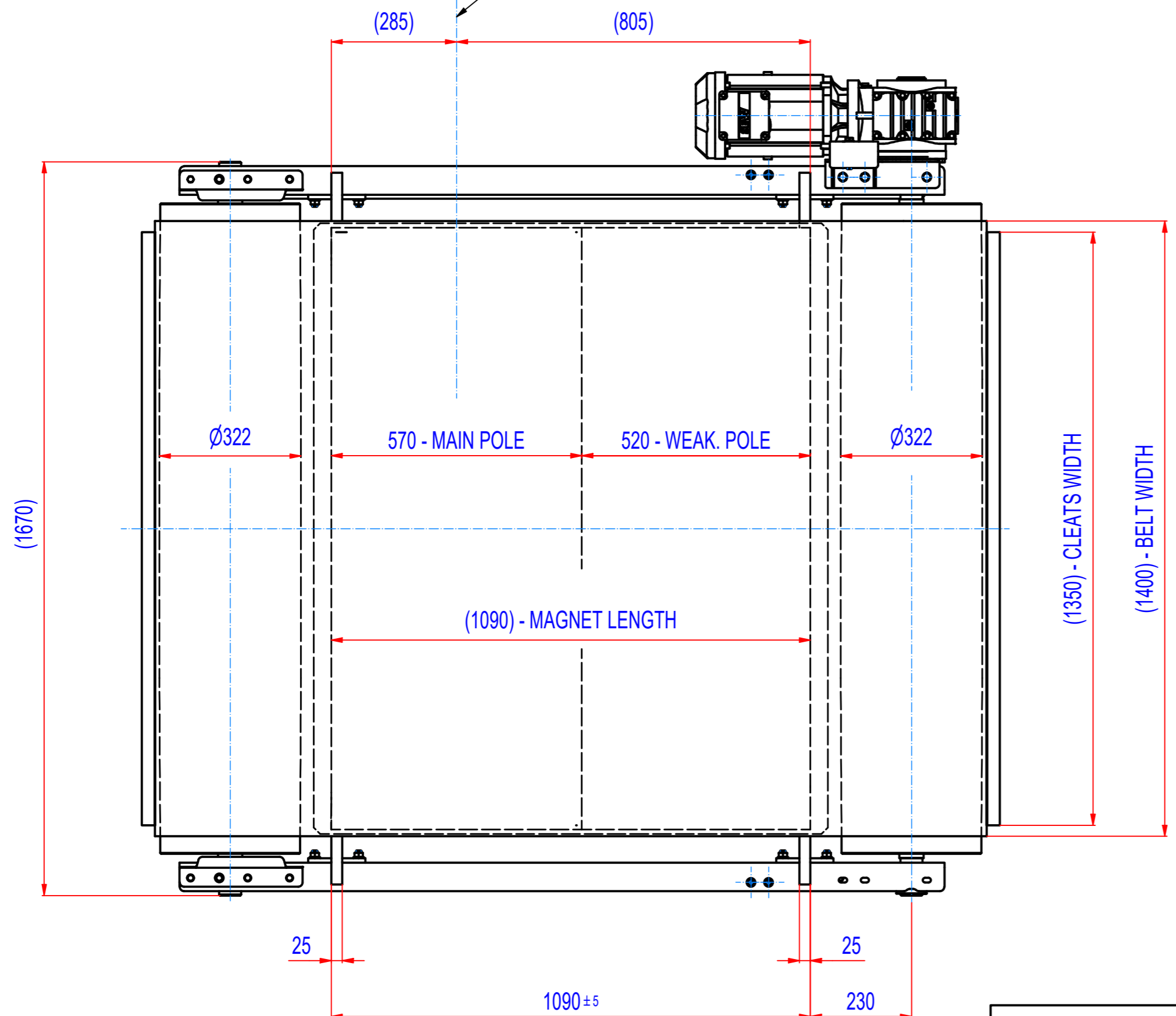
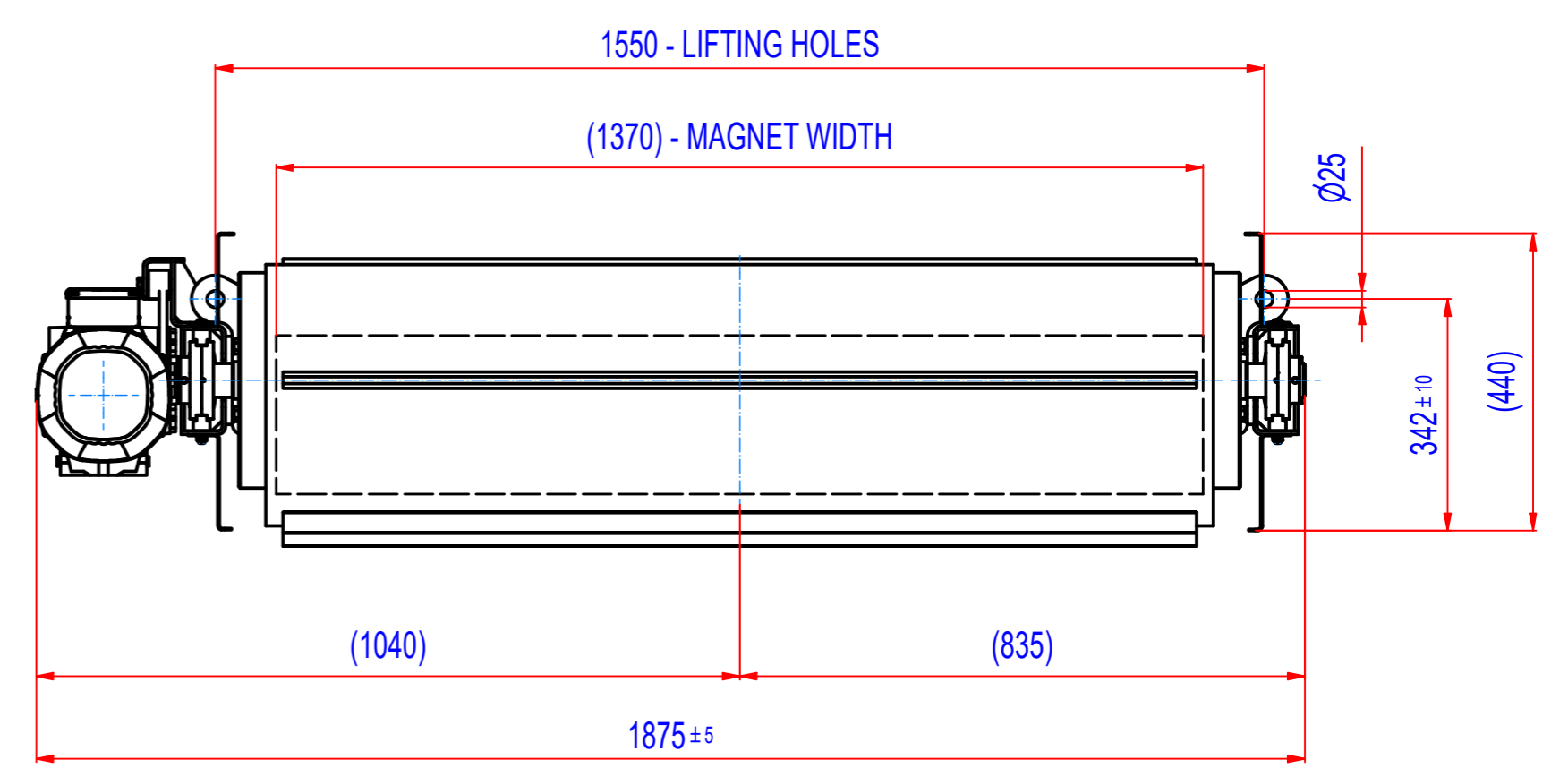
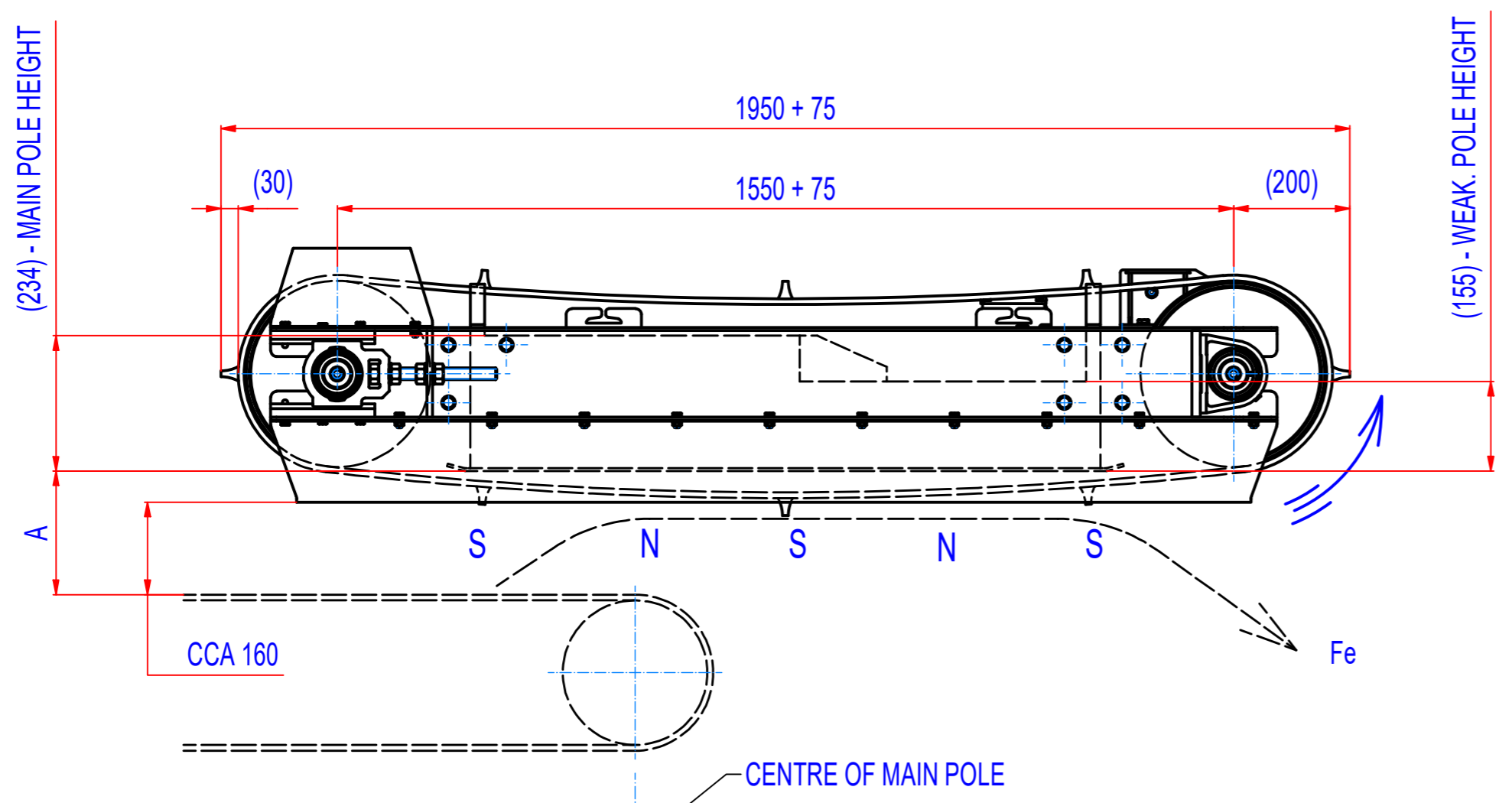


REV	DATE	BY	DESCRIPTION
-	27.01.2023	EN	ORIGINAL DRAWING



- GEARED BOX: SEW SA67/TDRN100L4, i=15,6 (93RPM), MOTOR 3 kW, 230/400V, IP55
- DRUM SPEED 93/min
- BELT SPEED 1,55 m/s
- BELT EP400/3 4+2, WIDTH 1400, LENGTH 4170, 8 CLEATS T30/10, WIDTH 1350

A = 310 mm - max. catch distance for rod Ø15, L=75 mm (VDE)
A = 220 mm - 400 Gs

Sheet: A2	Extra info:	General tolerance: ISO 2768 - cL
Drawn: EN	Weight (kg): 1834.6	Drawn according: ISO268; ISO1101; ISO2553
Date: 27.1.2023		Status:
Predecessor:		Customer reference number:
Quick search: XSPB 3	© All rights reserved. Reproduction is not permitted without written permission of GOUDSMIT Magnetic Systems BV	Product key: ROP-F3-I-140-W-G-L-B-B-NA
Description: Overband separator, Ferrite, Size 3, W1400, Inline		Part number: ROFI140330
		Rev: -