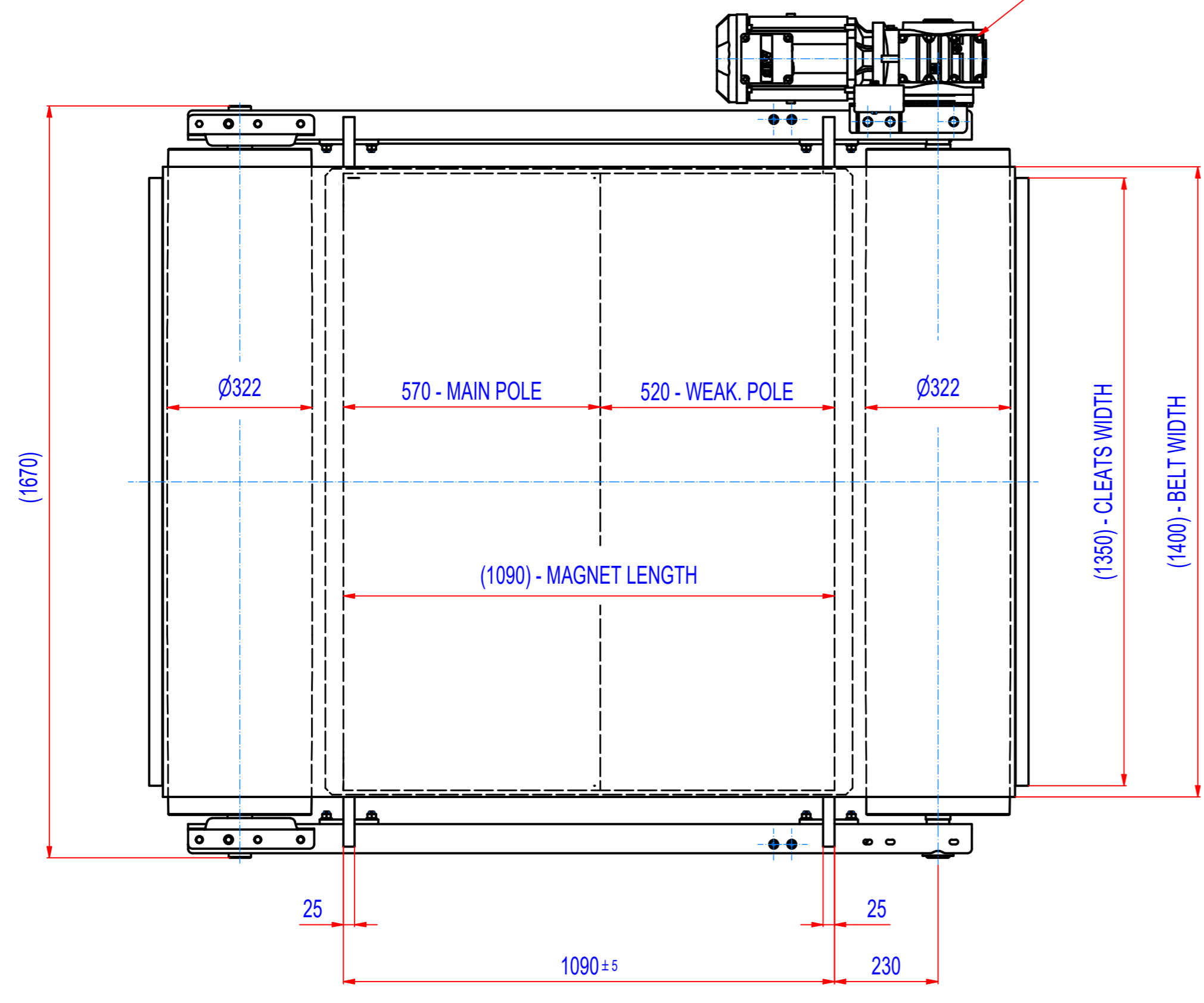
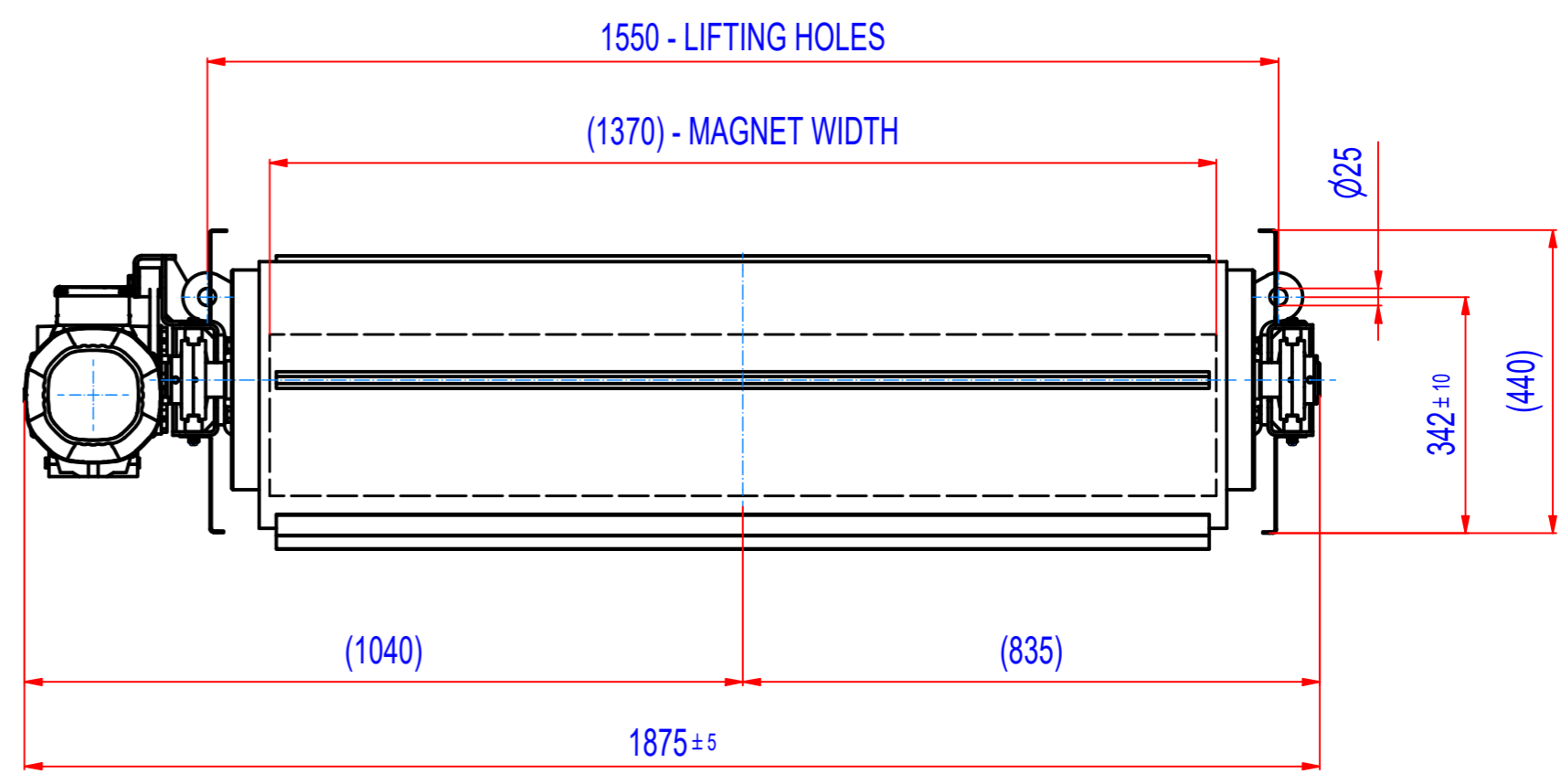
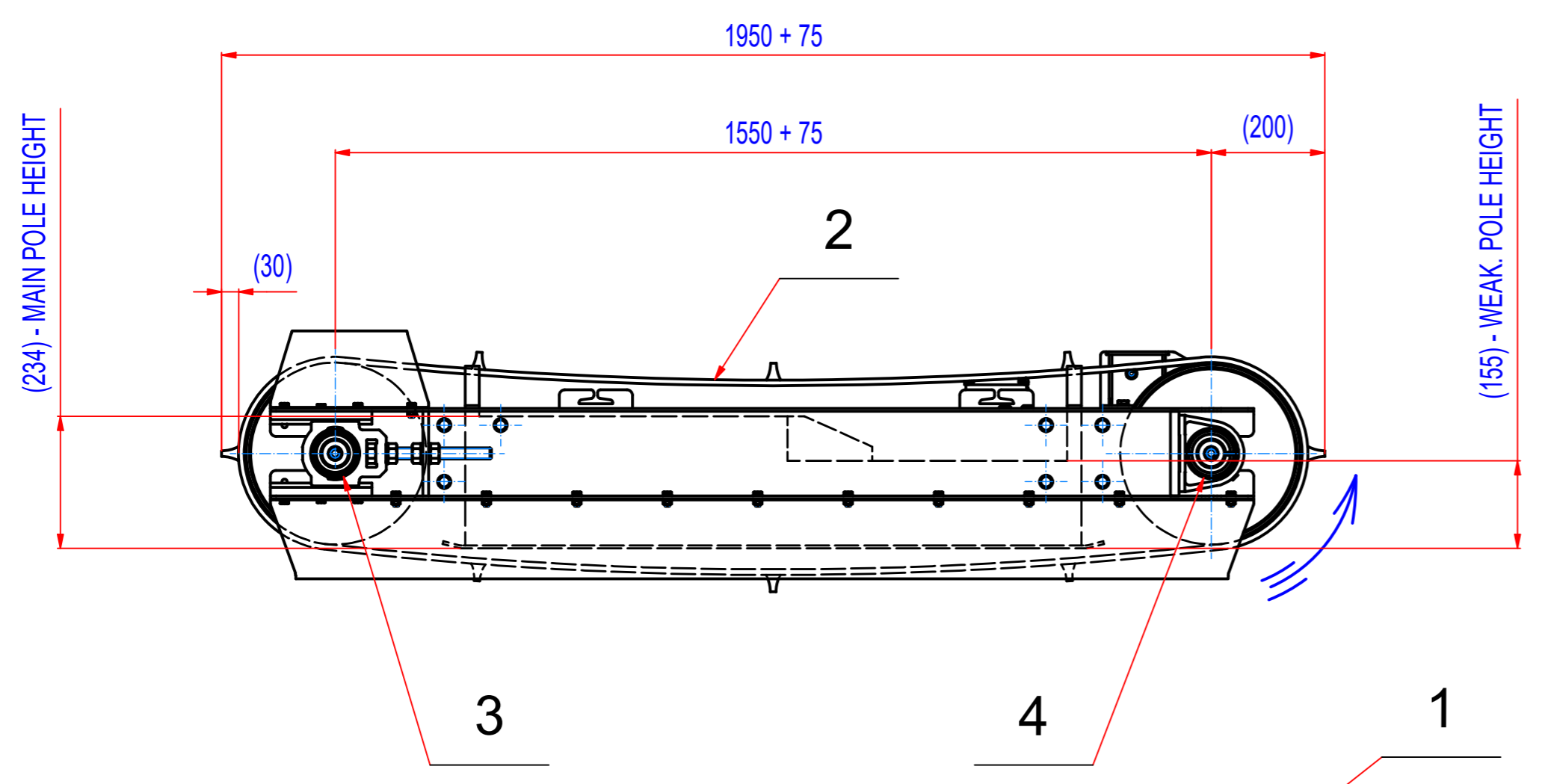


REV	DATE	BY	DESCRIPTION
-	30.01.2023	EN	22.07.2023 - REDUCTION IN THE NUMBET OF SPARE PARTS



- GEARED BOX: SEW SA67/TDRN100L4, i=15,6 (93RPM),
 MOTOR 3 kW, 230/400V, IP55
 - DRUM SPEED 93/min
 - BELT SPEED 1,55 m/s
 - BELT EP400/3 4+2, WIDTH 1400, LENGTH 4170,
 8 CLEATS T30/10, WIDTH 1350

4	15_8900050	BEARINGS ASSEMBLY INA PSHE 50		2,5	2
3	15_8600050	BEARINGS ASSEMBLY INA PTUE 50		2,4	2
2	45_4140020	BELT EP 400/3 4+2; W=1400; L=4170	RUBBER	62,3	1
1	M030009306	SEW SA67/TDRN100L4; 3 kW; i=15,6 (93RPM)		67,2	1
POZ.	Č. SOUČÁSTI	POPIS	MATERIÁL	HMOT.	MN.
Sheet: A2 Drawn: EN Weight (kg): 1834.6 Date: 27.1.2023 Predecessor:		Extra info: © All rights reserved. Reproduction is not permitted without written permission of GOUDSMIT Magnetic Systems BV		General tolerance: ISO 2768 - cL Drawn according: ISO268; ISO1101; ISO2553 Status:	
Quick search: XSPB 3 Description: SPARE PARTS FOR ROFI140330		Customer reference number:		Product key: ROP-F3-I-140-W-G-L-B-B-NA Part number: ROFI140330_SP Rev: -	