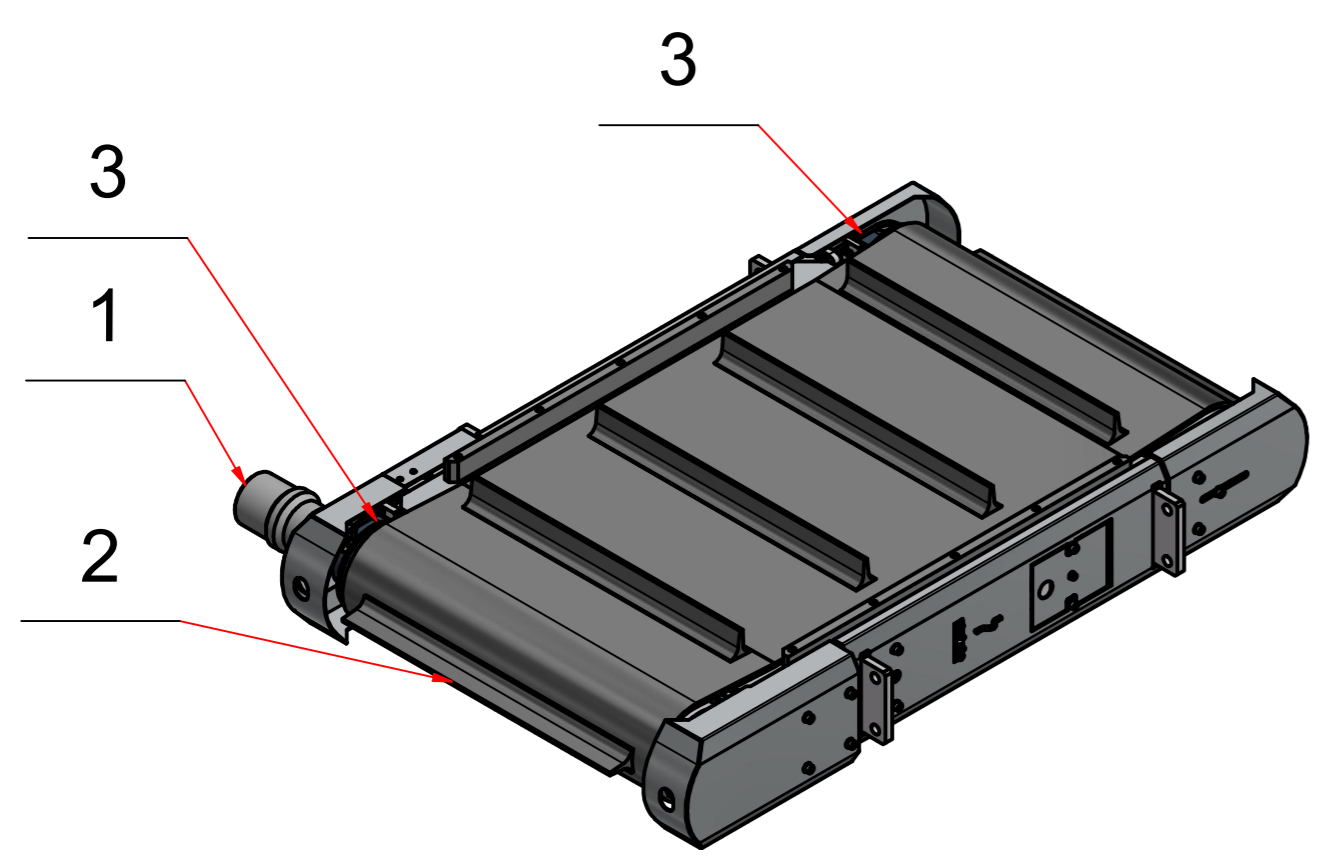
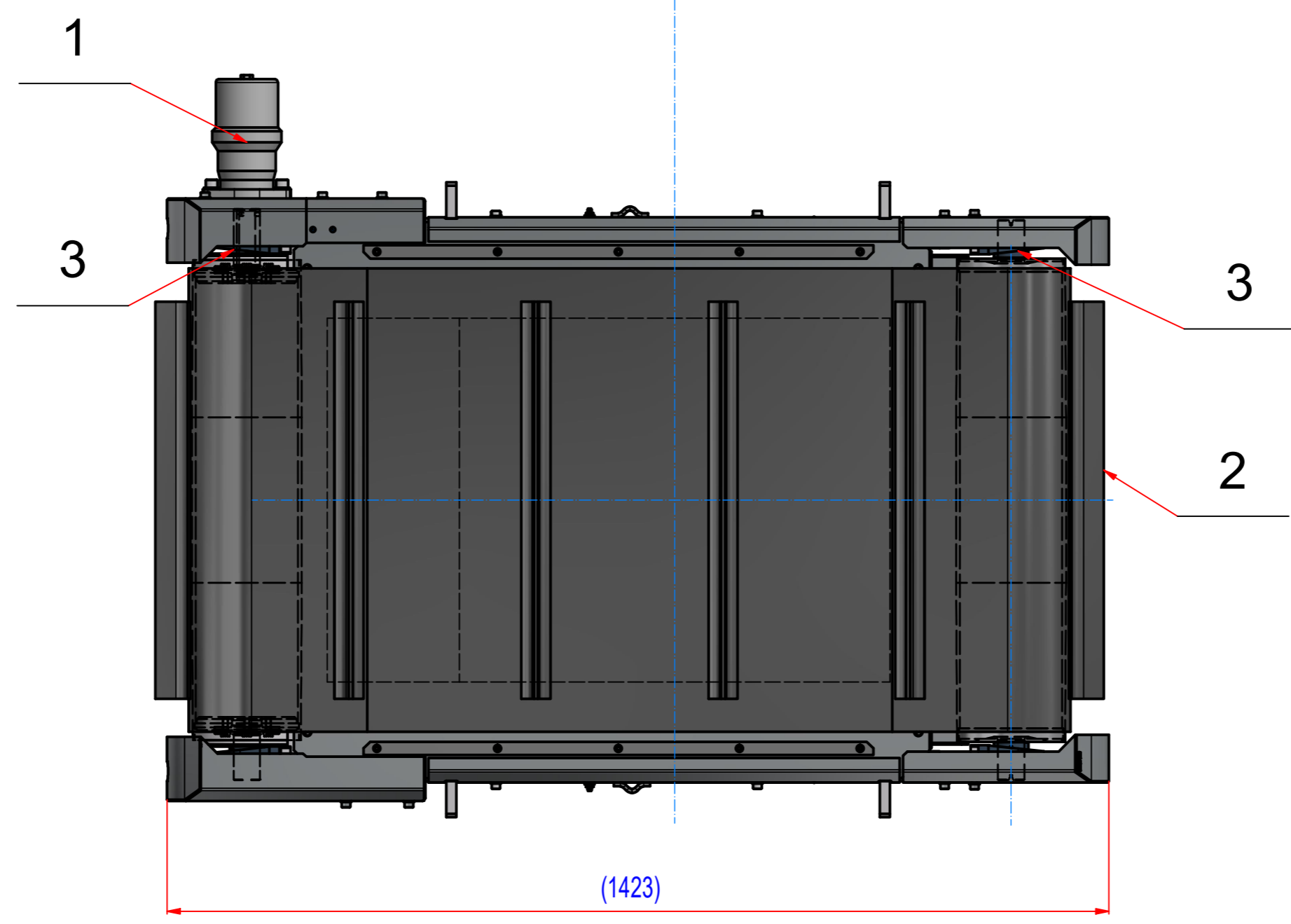
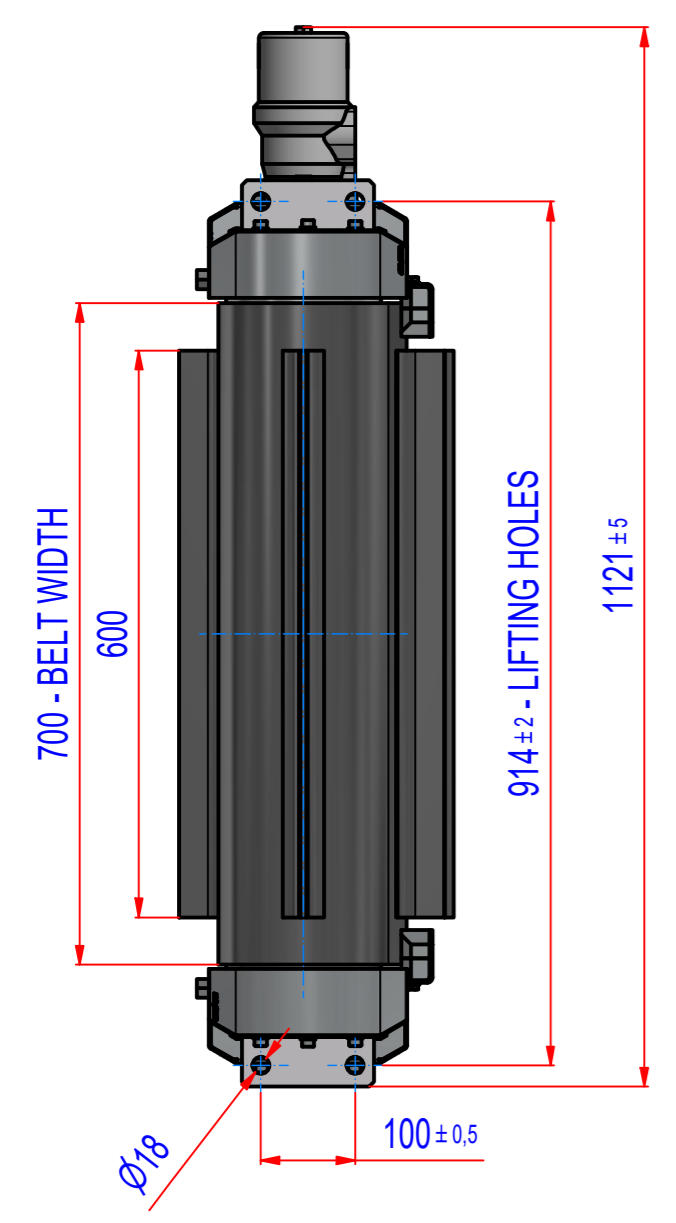
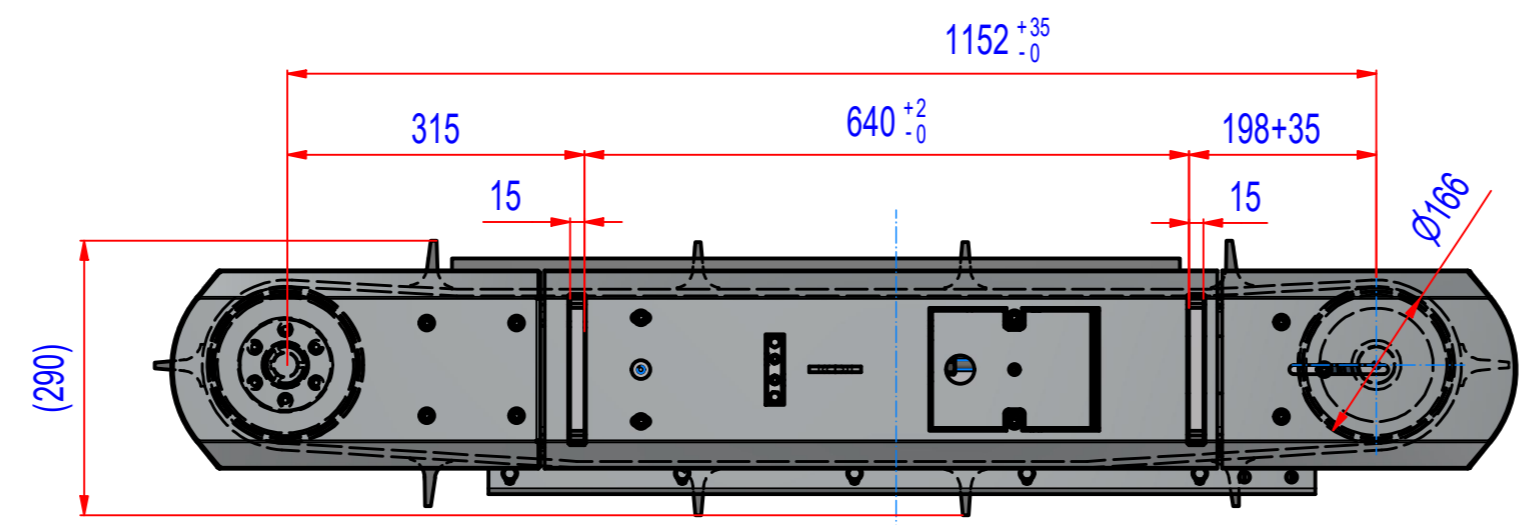


REV	DATE	BY	DESCRIPTION
-	24.03.2023	PH	Source RONC100541



POS.	PART NUMBER	DESCRIPTION	MATERIAL	WEIGHT	QTY
3	15_8900041	Bearing assy PSHEY 40		0,3	4
2	45_4070006	Belt EP250, w=700, L=2860	RUBBER	18	1
1	76_4090013	Hydromotor set OMR X 315		9	1

Sheet: A2 Drawn: PH Date: 24.03.2023 Predecessor: Quick search: Description: SPARE PARTS for overband magnet, NdFeB, size 4, W=650	Extra info: GOUDSMIT MAGNETICS <small>© All rights reserved. Reproduction is not permitted without written permission of GOUDSMIT Magnetic Systems BV</small>	General tolerance: ISO 2768 - cL Drawn according: ISO268; ISO1101; ISO2553 Status: Customer reference number: Product key: ROP-N4-C-065-W-H-R-B-B-M-NA Part number: RONC065541_SP Rev: -
---	---	--