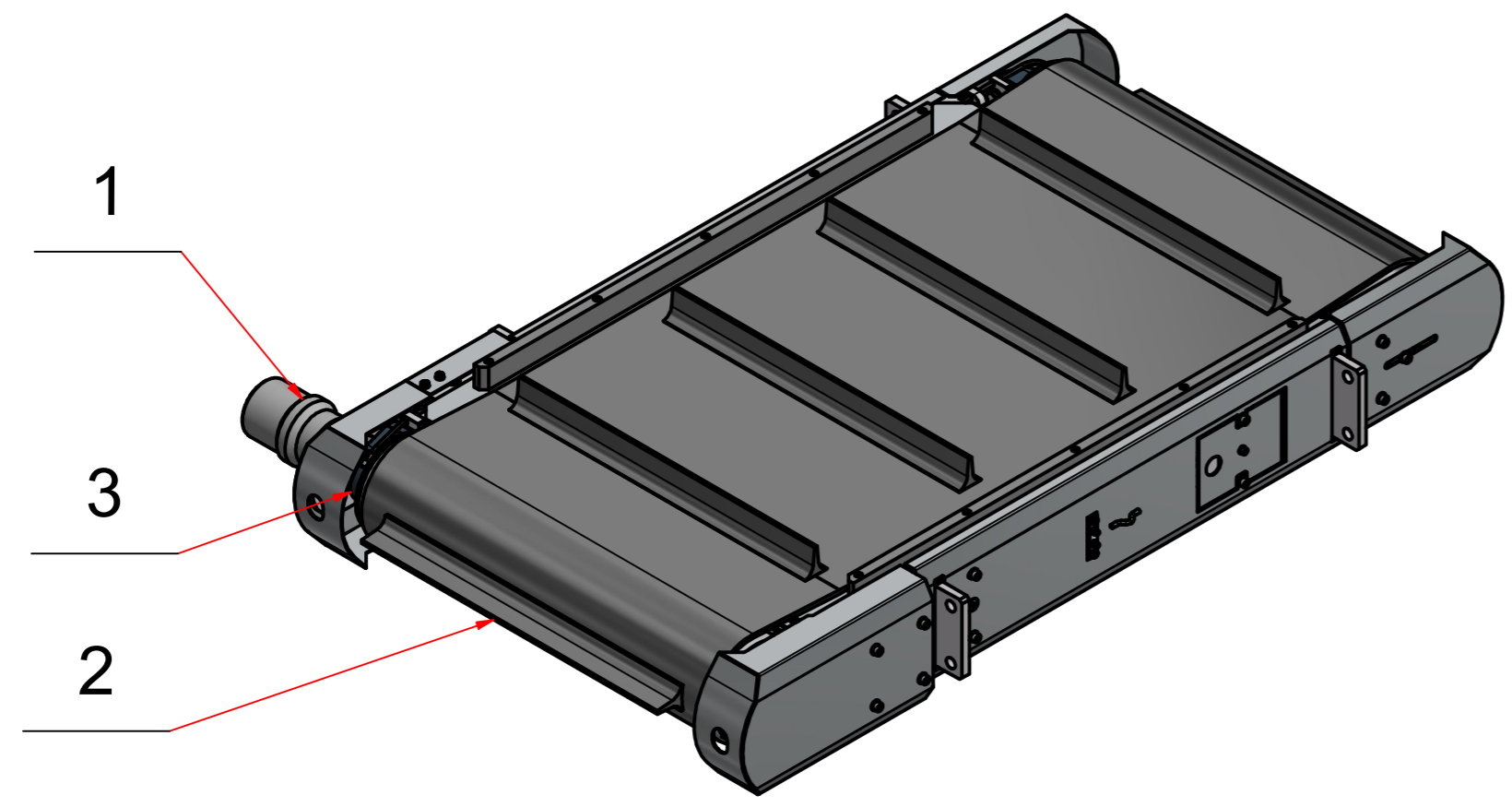
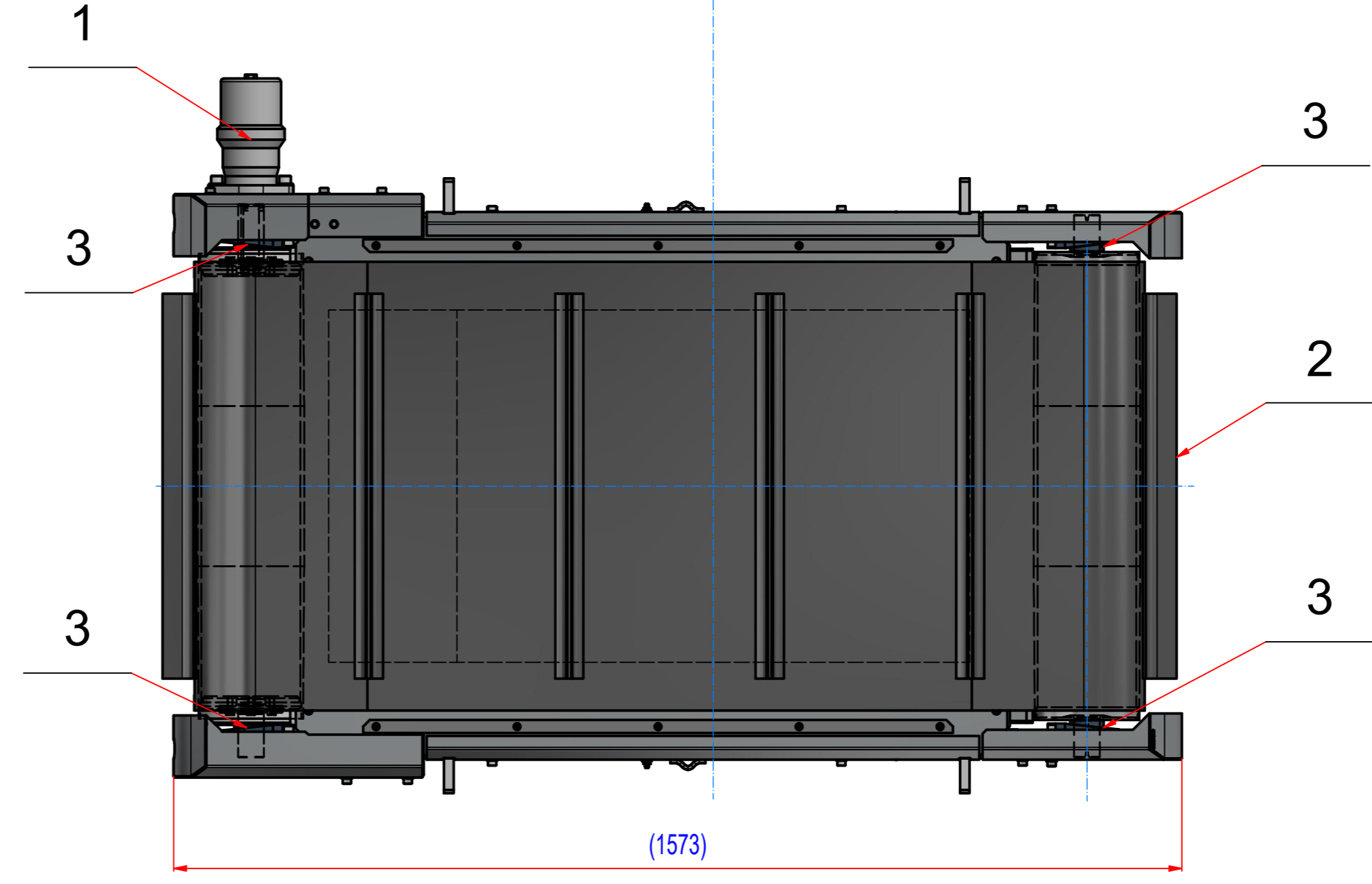
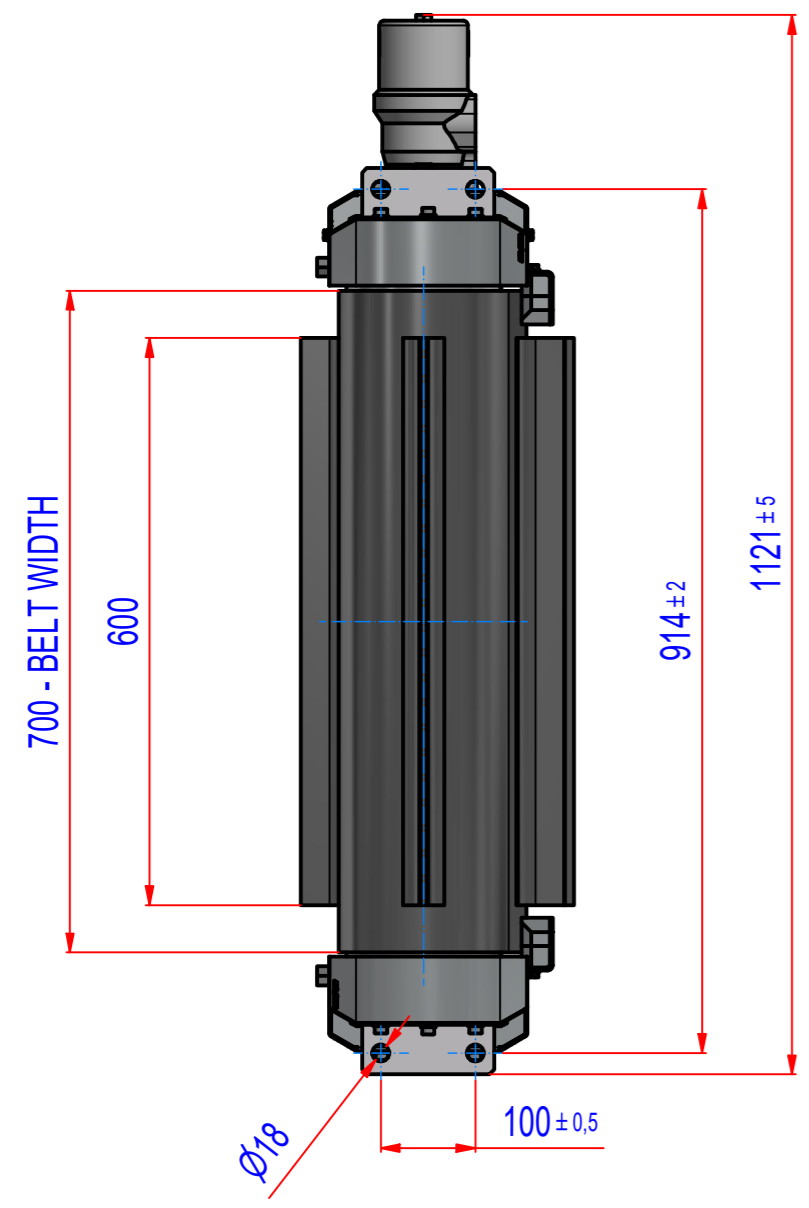
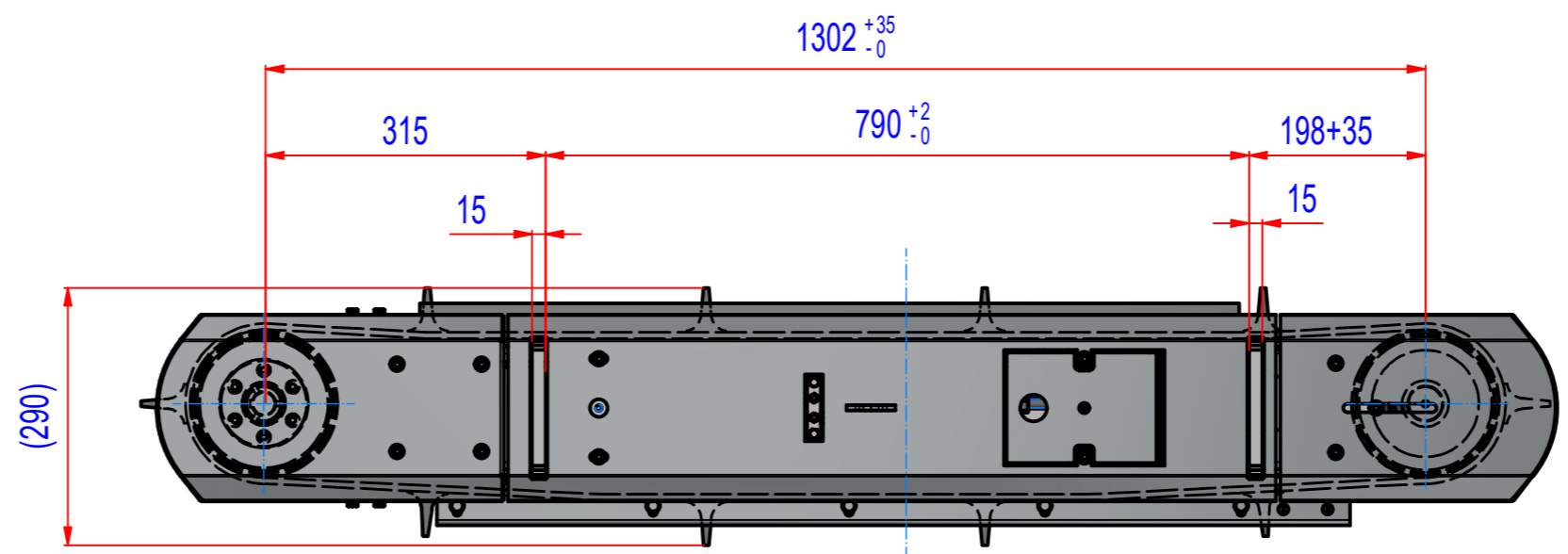


REV	DATE	BY	DESCRIPTION
-	07.03.2022	PH	Source RONC100541



POS.	PART NUMBER	DESCRIPTION	MATERIAL	WEIGHT	QTY
3	15_8900041	Bearing assy PSHEY 40		0,3	4
2	45_4070005	Belt EP250, w=700, L=3160	RUBBER	19,4	1
1	76_4090013_set	Hydromotor set OMR X 315, 11186652		9	1

Sheet: A2 Drawn: PH Date: 07.03.2022 Predecessor: RONC080341 Quick search: XSPB Description: SPARE PARTS FOR RONC080541	Extra info:  © All rights reserved. Reproduction is not permitted without written permission of GOUDSMIT Magnetic Systems BV	General tolerance: ISO 2768 - cL Drawn according: ISO268; ISO1101; ISO2553 Status: Customer reference number: Product key: ROP-N4-C-080-W-H-R-B-B-M-NA Part number: RONC080541_SP Rev: -
--	--	--