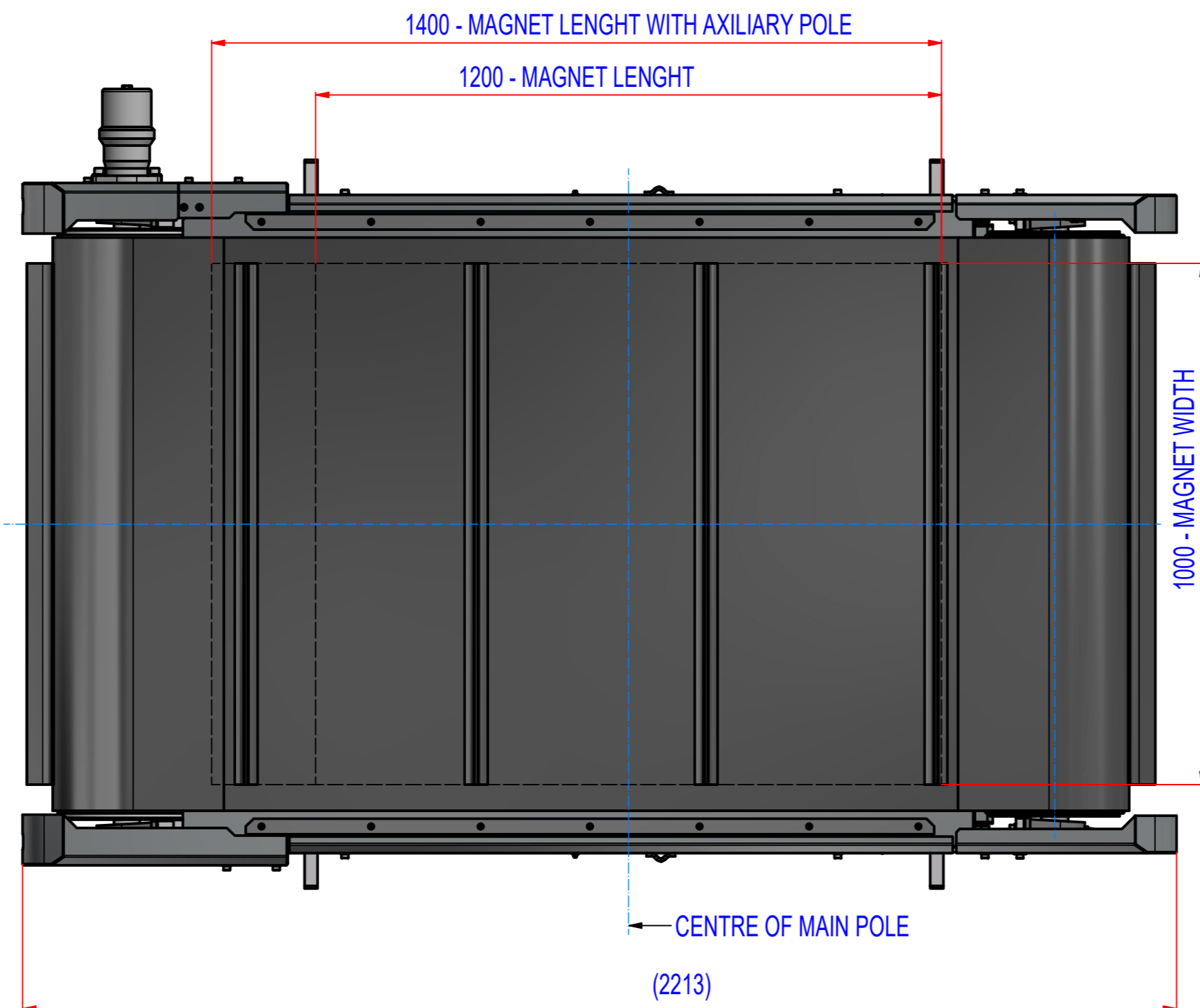
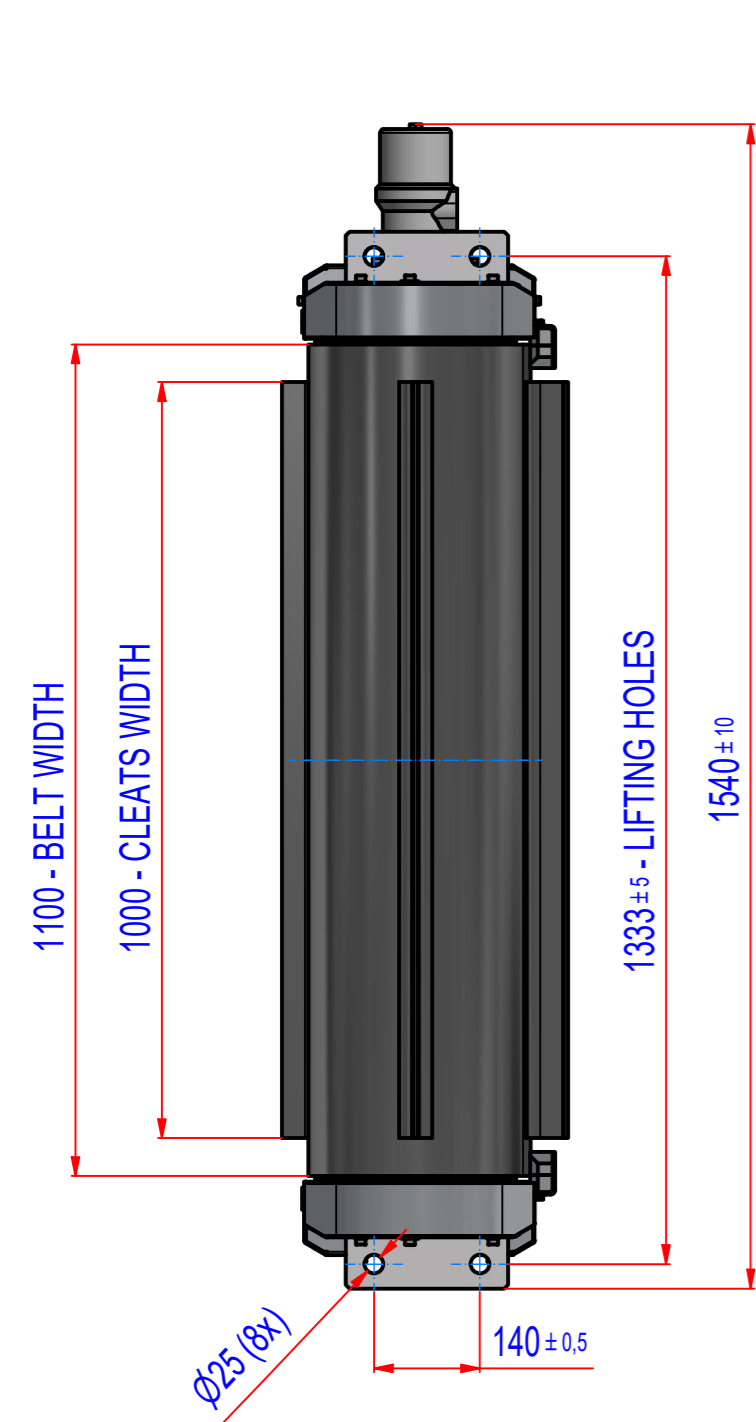
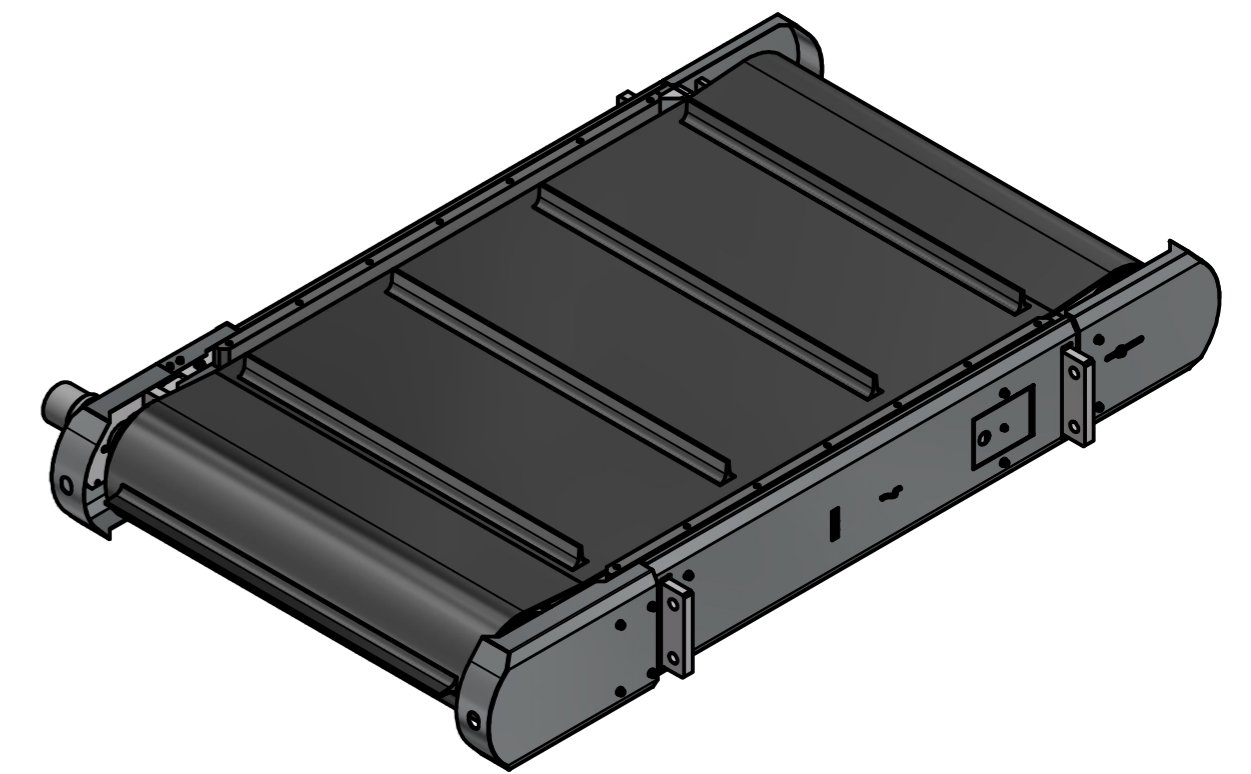
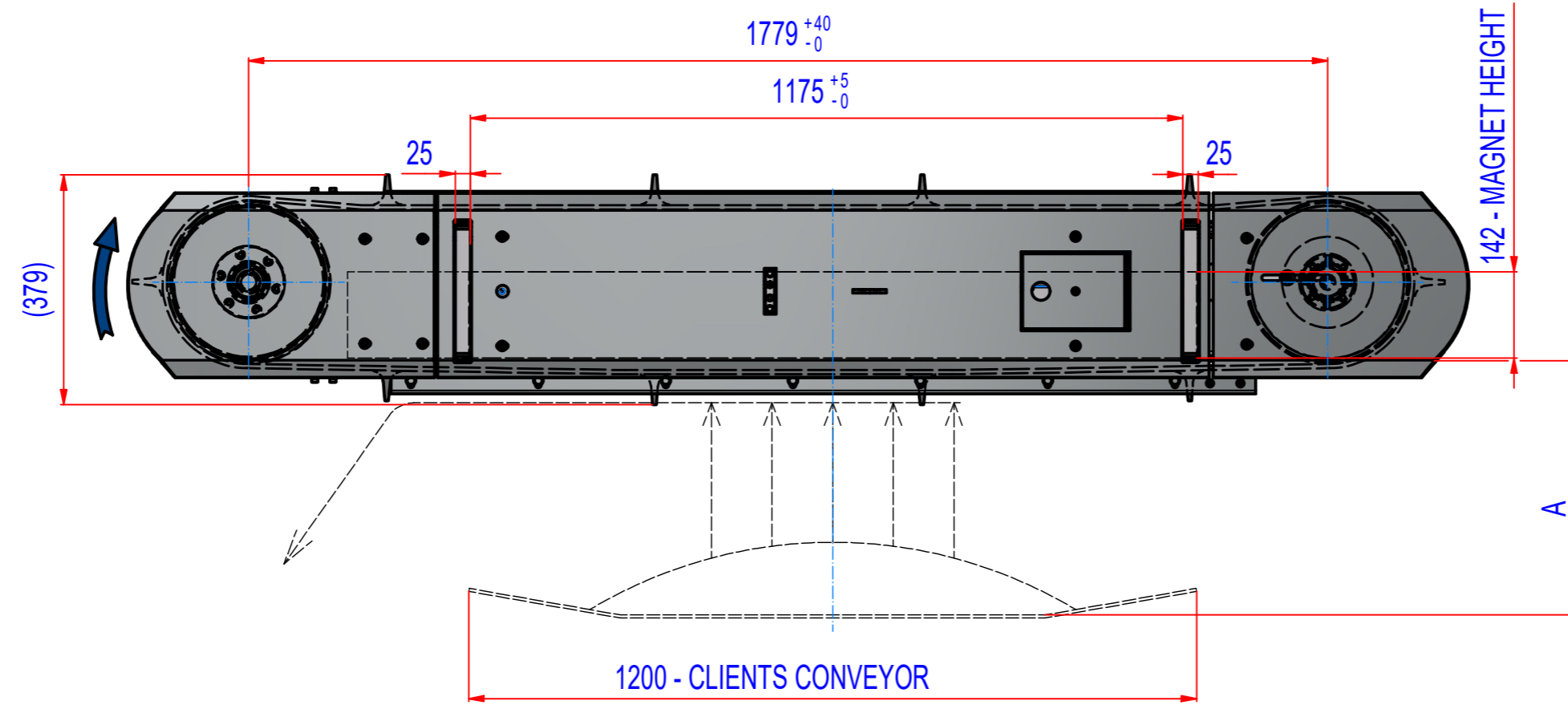


REV	DATE	BY	DESCRIPTION
-	08.11.2023	PH	Source RONC120551, SIZE N6



A = 500 mm - max. catch distance for rod Ø15, L=75 mm (VDE)
A = 450 mm - 400 Gs

MAGNET : MAGNETS NdFeB, FERRITTE, WATERPROOF
FRAME: MADE FROM AISI 304
PROTECT PLATES: AISI 304, 2-3mm
BELT TYPE: EP400/3 4+2, WIDTH 1100, LENGTH 4440,
10 CLEATS T50/20, WIDTH 1000, COMPLETELY HOT VULCANISED
MOTOR: Hydromotor OMR X 315, 11186652 (or equivalent)
FINISH: PAINTED / GRIT BLASTED (covering, frame)
ROLLERS: STEEL, WITH CROWNING, RAL7022 (UMBRA GREY)
ACCESSORIES: FRAME SIDE COVERS
GREASING FROM LEFT AND RIGHT SIDE

 Sheet: A2 Drawn: PH Date: 08.11.2023 Predecessor:	Weight (kg): 1381.6 Description: Overband magnet, NdFeB, size.6, W=1200, gear motor	Extra info: <small>© All rights reserved. Reproduction is not permitted without written permission of GOUDSMIT Magnetic Systems BV</small>	General tolerance: ISO 2768 - cL Drawn according: ISO268; ISO1101; ISO2553 Status: Customer reference number: Product key: ROP-N6-C-120-W-H-R-B-B-M-NA Part number: RONC120561 Rev: -
---	--	---	---