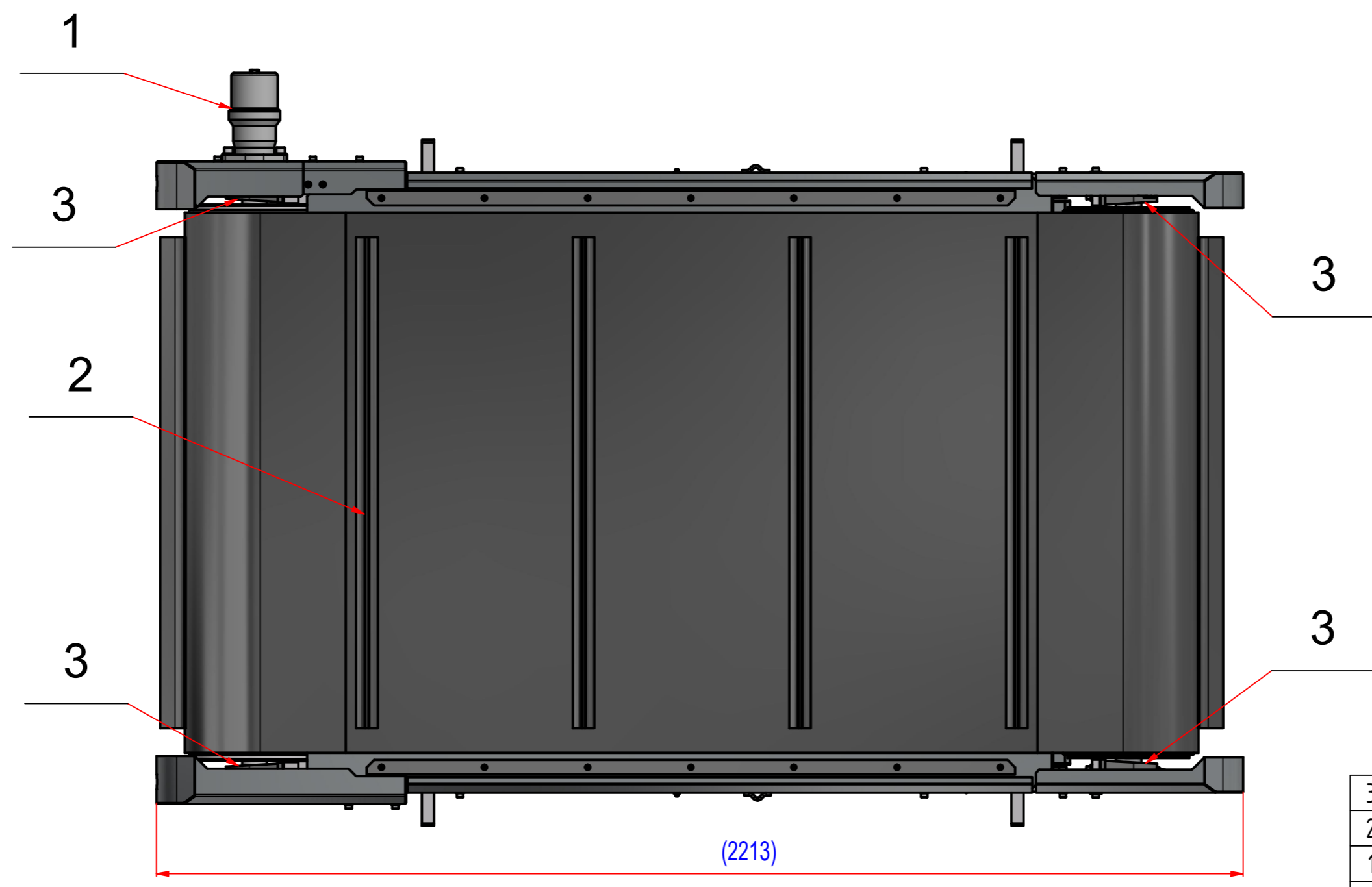
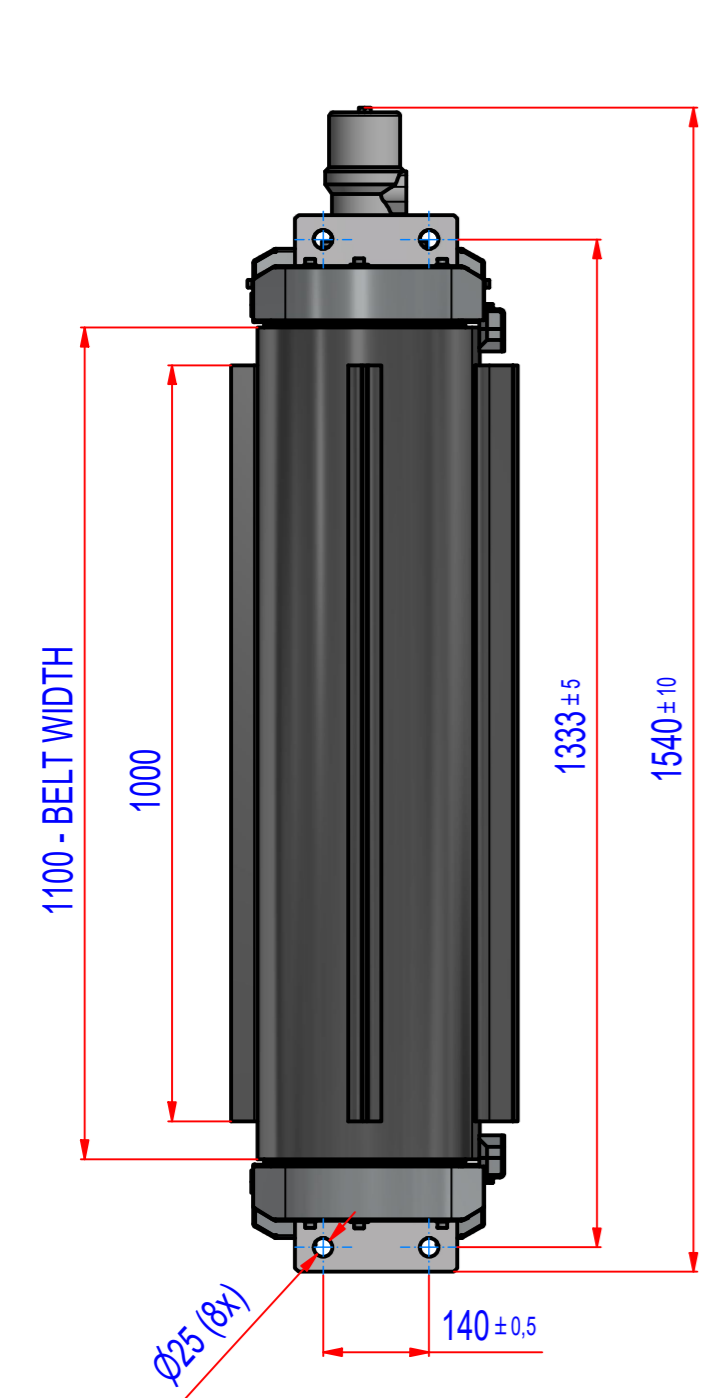
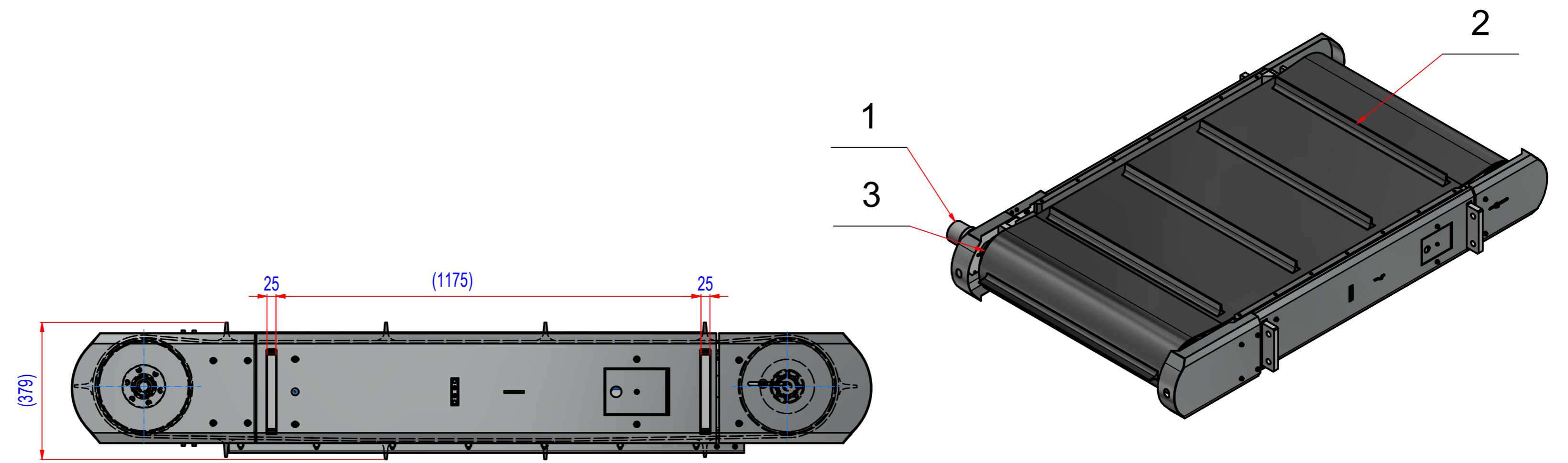



REV	DATE	BY	DESCRIPTION
-	08.11.2023	PH	Source RONC120551, Size N6



POS.	PART NUMBER	DESCRIPTION	MATERIAL	WEIGHT	QTY
3	15_8900050	Bearing assy PSHE 50		2,5	4
2	45_4110008	Belt rubber EP 400/3 4+2, w=1100, , L=4440	RUBBER	40,7	1
1	76_4090013	Hydromotor OMR X 315, 11186652		9	1

Sheet: A2 Drawn: PH Date: 08.11.2023 Predecessor: Quick search: Description: SPARE PARTS for overband magnet, NdFeB, size.6, W=1200	Weight (kg): 1381.6  <small>© All rights reserved. Reproduction is not permitted without written permission of GOUDSMIT Magnetic Systems BV</small>	Extra info: General tolerance: ISO 2768 - cL Drawn according: ISO268; ISO1101; ISO2553 Status: Customer reference number: Product key: ROP-N6-C-120-W-H-R-B-B-M-NA Part number: RONC120561_SP Rev: -
--	--	---