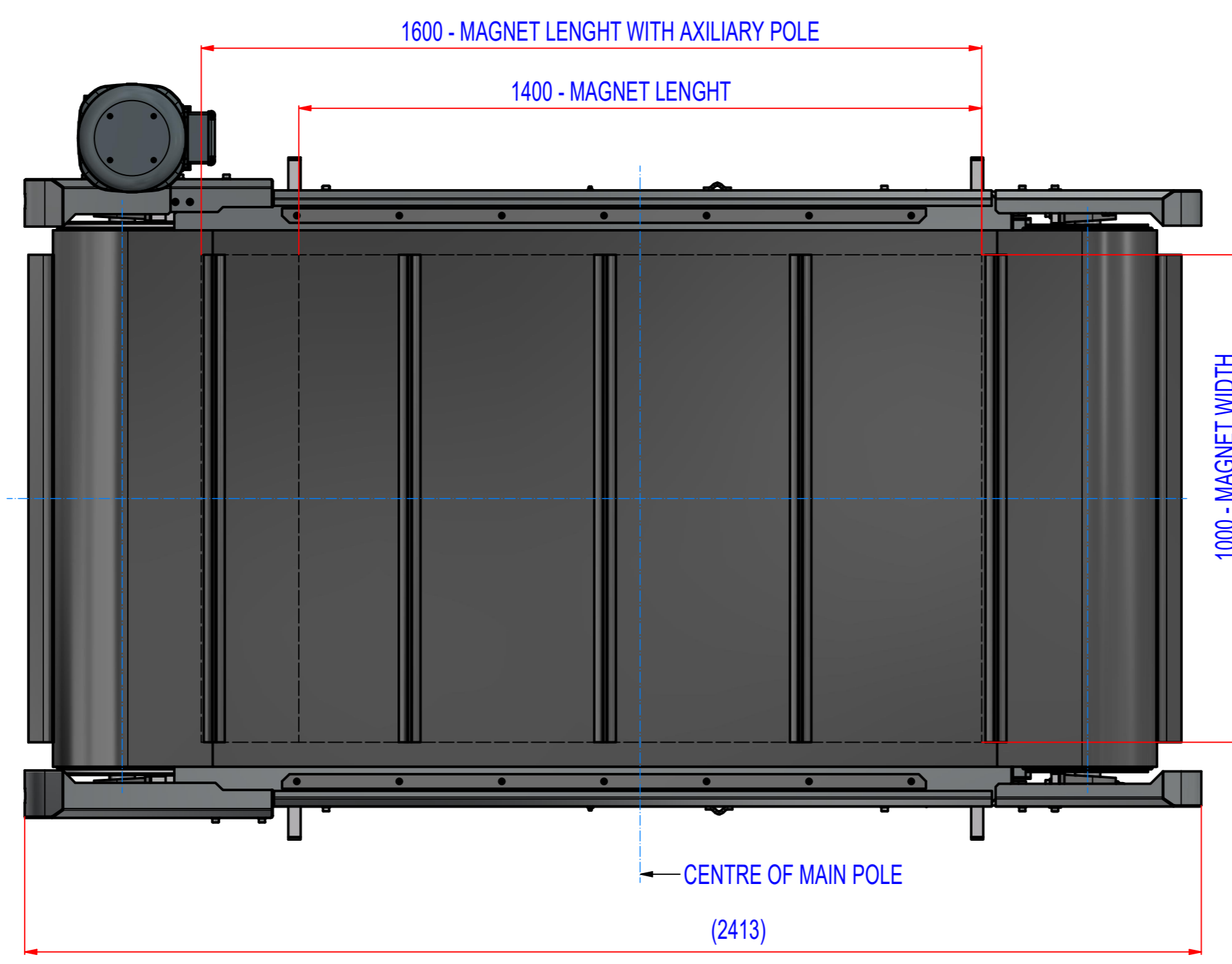
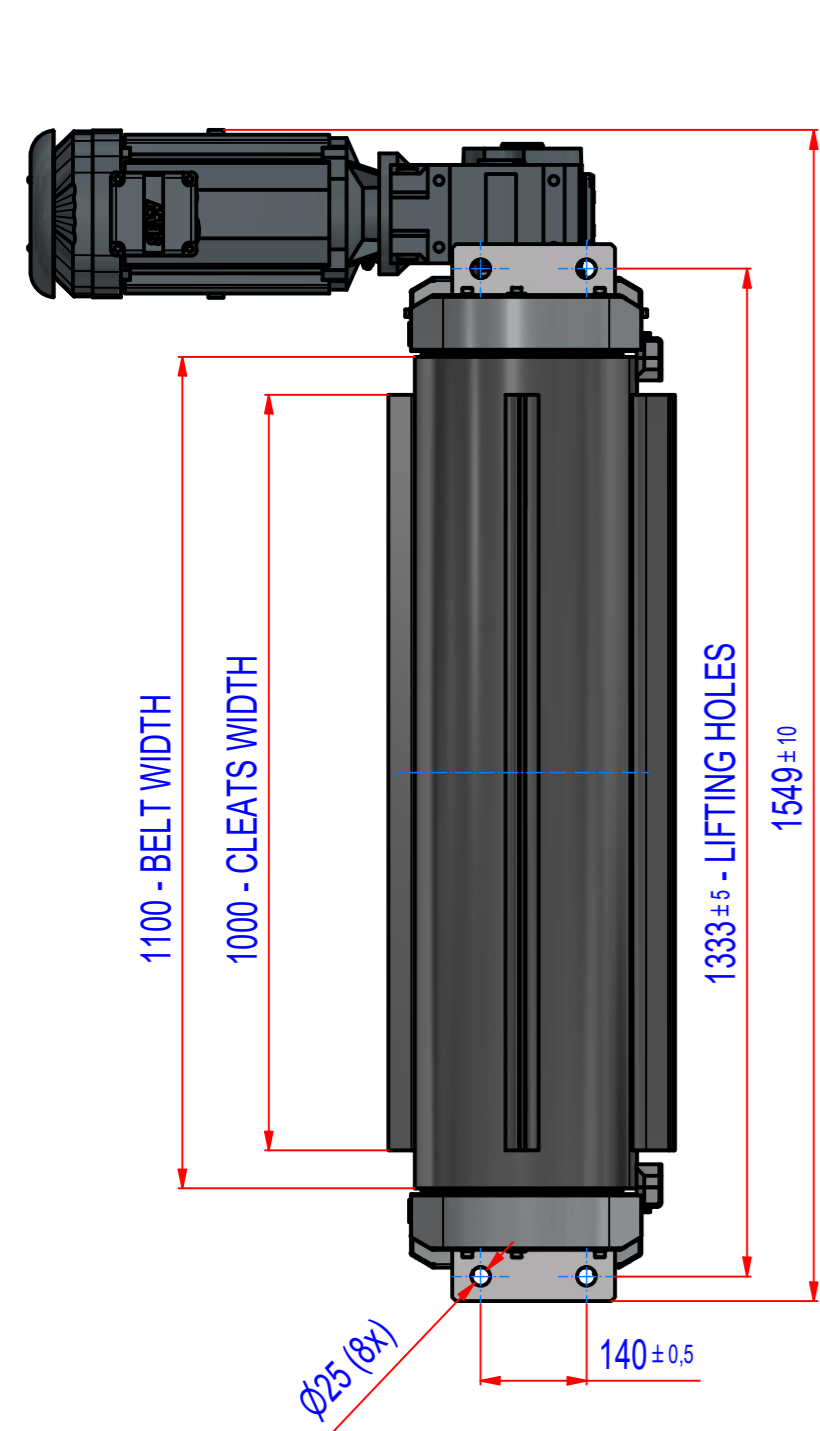
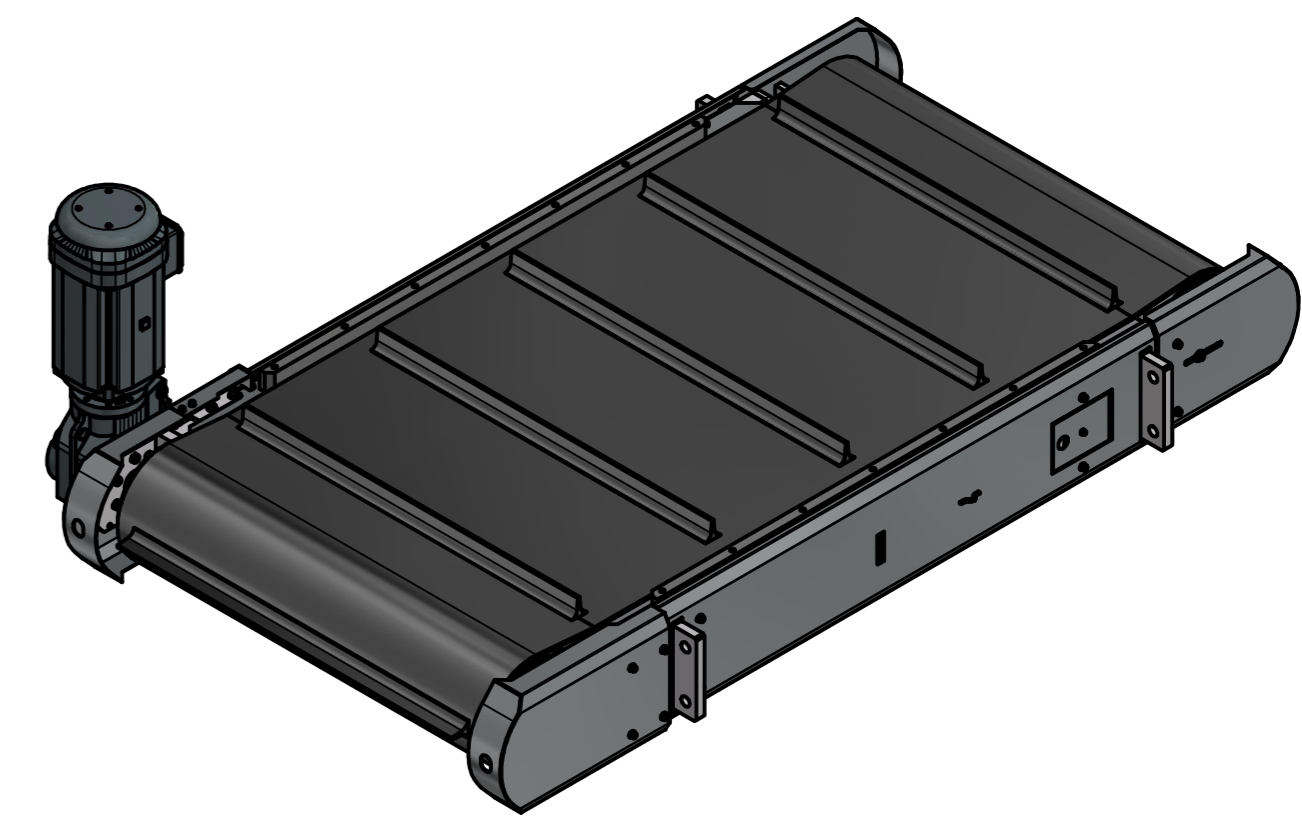
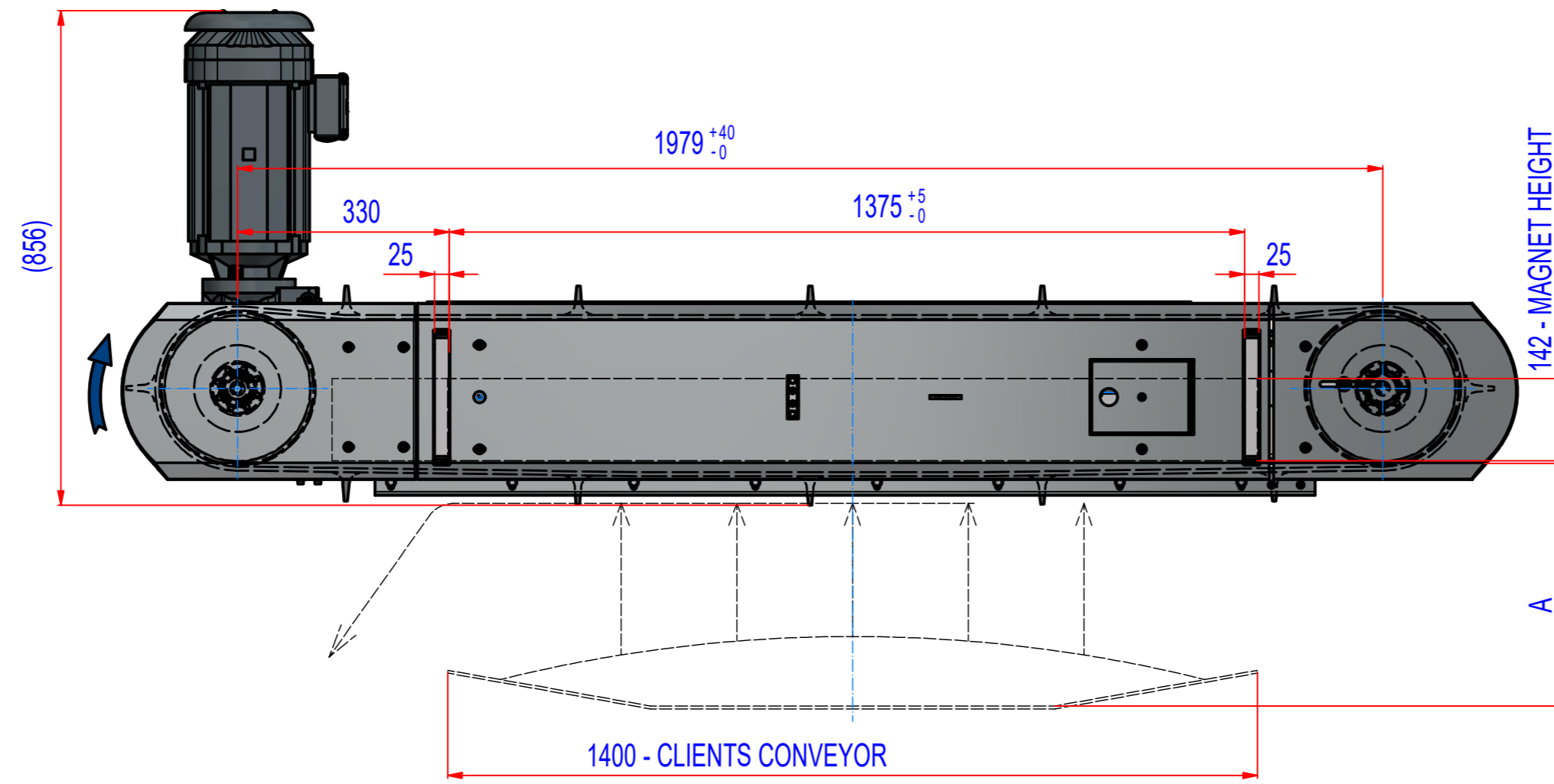


REV	DATE	BY	DESCRIPTION
-	09.11.2023	PH	Source RONC140351, SIZE N6



A = 500 mm - max. catch distance for rod Ø15, L=75 mm (VDE)
A = 450 mm - 400 Gs

MAGNET : MAGNETS NdFeB, FERRITTE, WATERPROOF
FRAME: MADE FROM AISI 304
PROTECT PLATES: AISI 304, 2-3mm
BELT TYPE: EP400/3 4+2, WIDTH 1100, LENGTH 4840, 12 CLEATS T50/20, WIDTH 1000, COMPLETELY HOT VULCANISED
MOTOR: SEW KA67DRN132S4/C, i=10,63(137RPM), 230/400V, 5,5kW, IP55
FINISH: PAINTED / GRIT BLASTED (covering, frame)
ROLLERS: STEEL, WITH CROWNING, RAL7022 (UMBRA GREY)

ACCESSORIES: FRAME SIDE COVERS
GREASING FROM LEFT AND RIGHT SIDE

 Sheet: A2 Drawn: PH Date: 09.11.2023 Predecessor:	Weight (kg): 1648.2 Quick search: Description: Overband magnet, NdFeB, size.6, W=1400, gear motor	Extra info: <small>© All rights reserved. Reproduction is not permitted without written permission of GOUDSMIT Magnetic Systems BV</small>	General tolerance: ISO 2768 - cL Drawn according: ISO268; ISO1101; ISO2553 Status: Customer reference number: Product key: ROP-N6-C-140-W-G-R-B-B-M-NA Part number: RONC140361 Rev: -
---	---	---	---