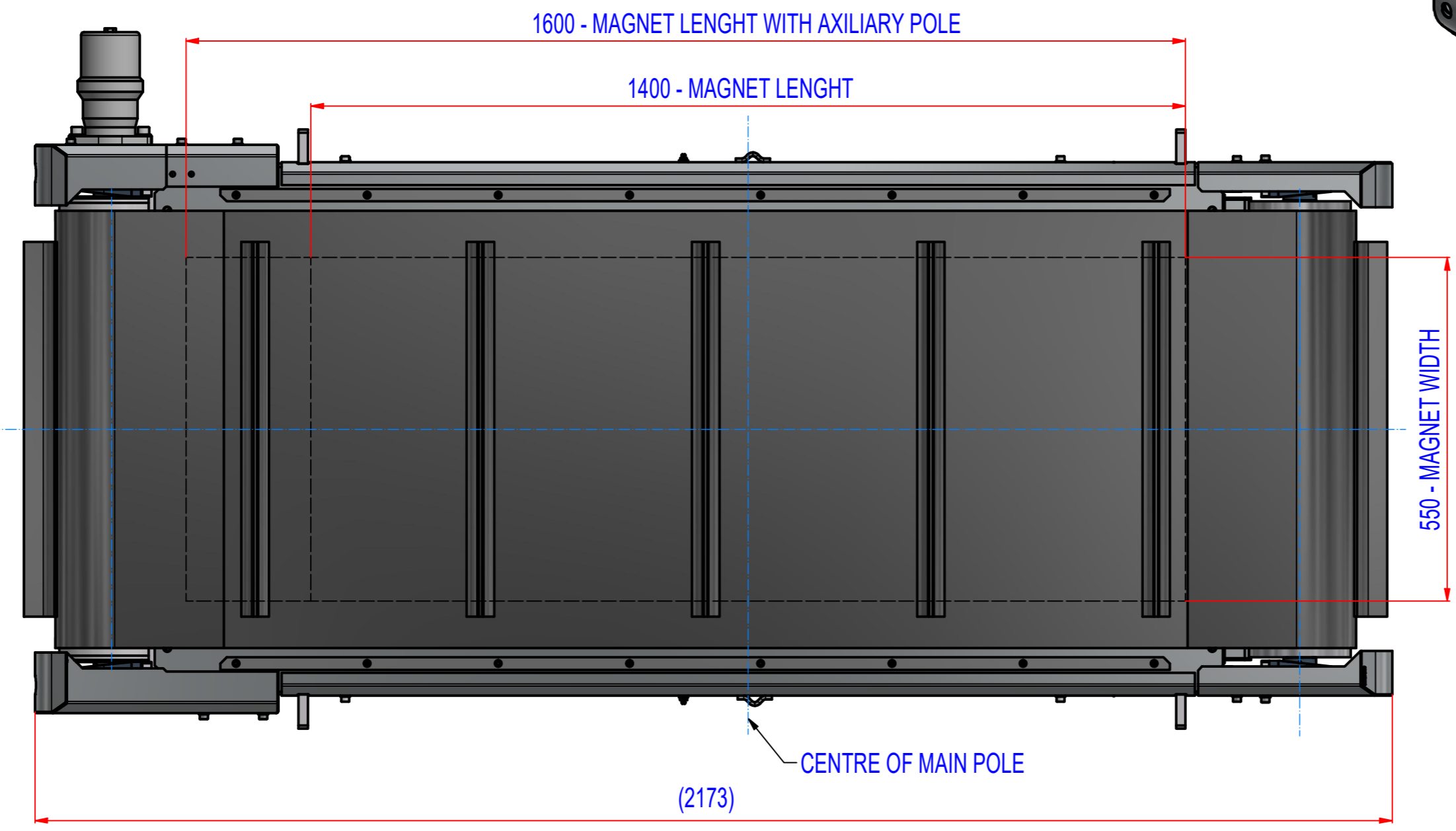
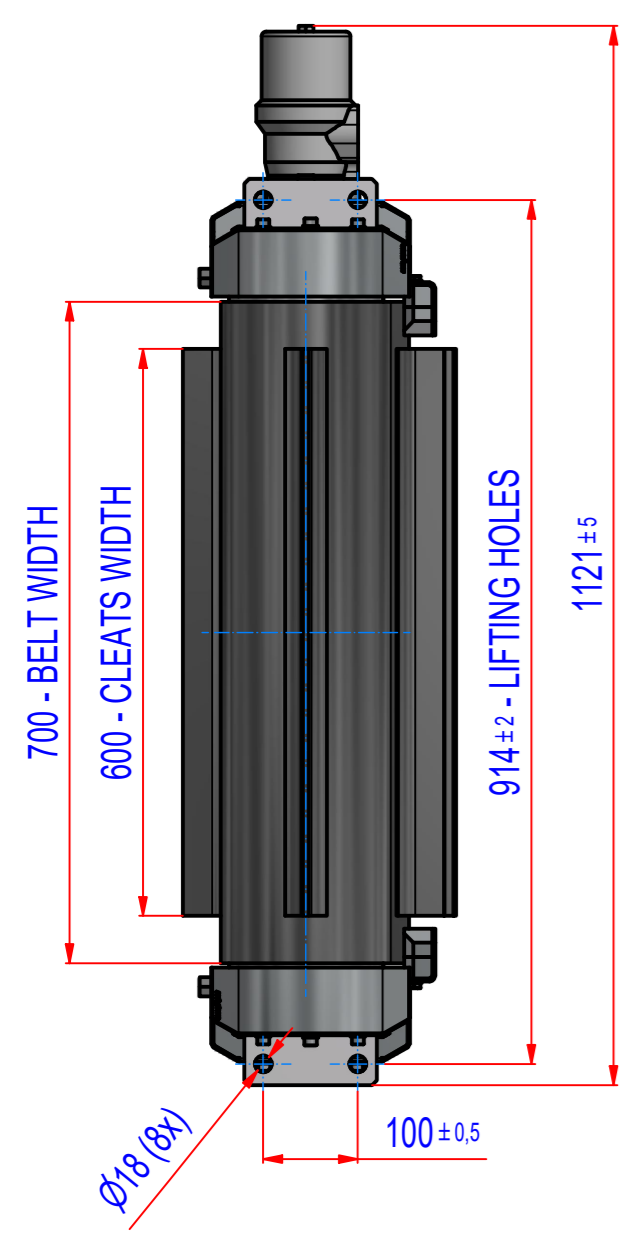
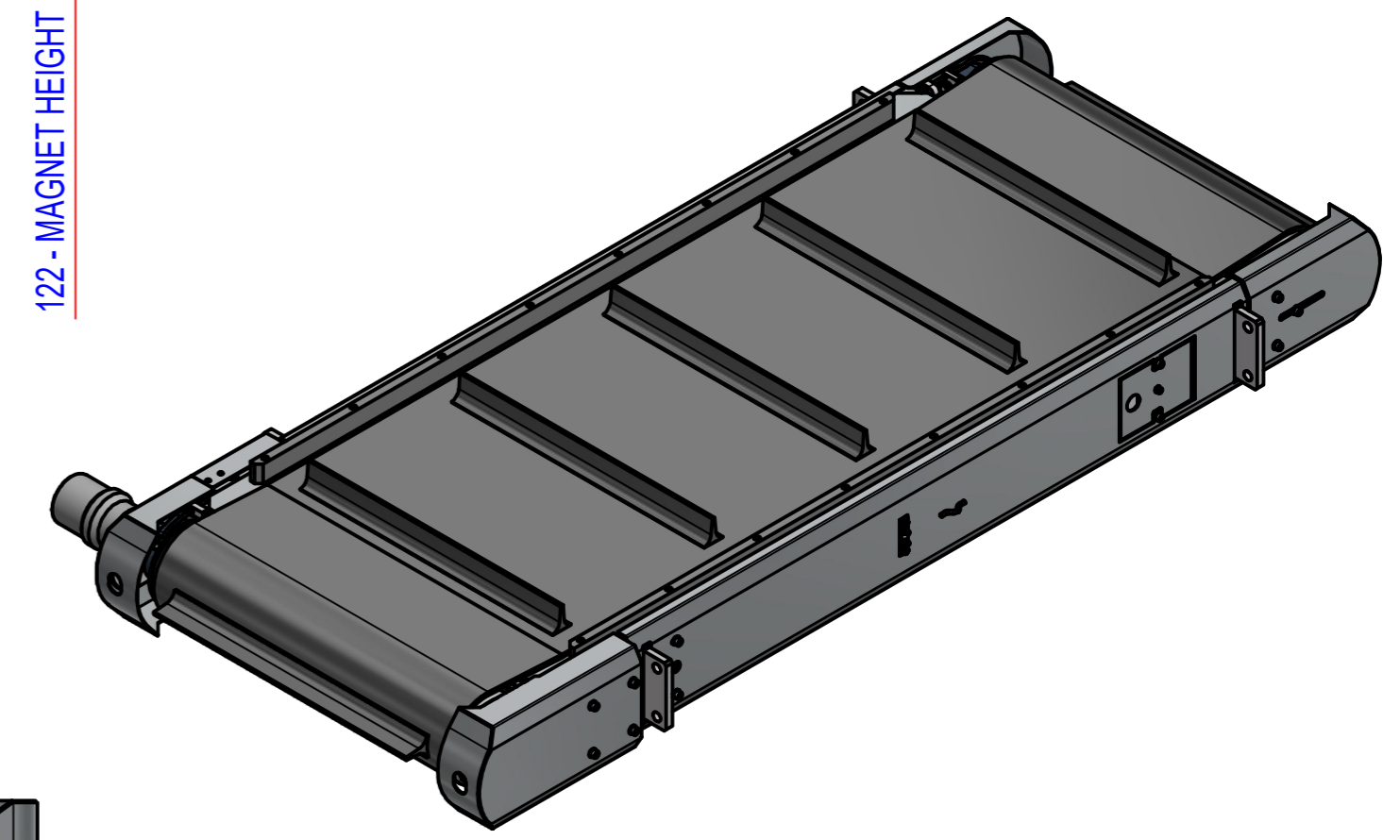
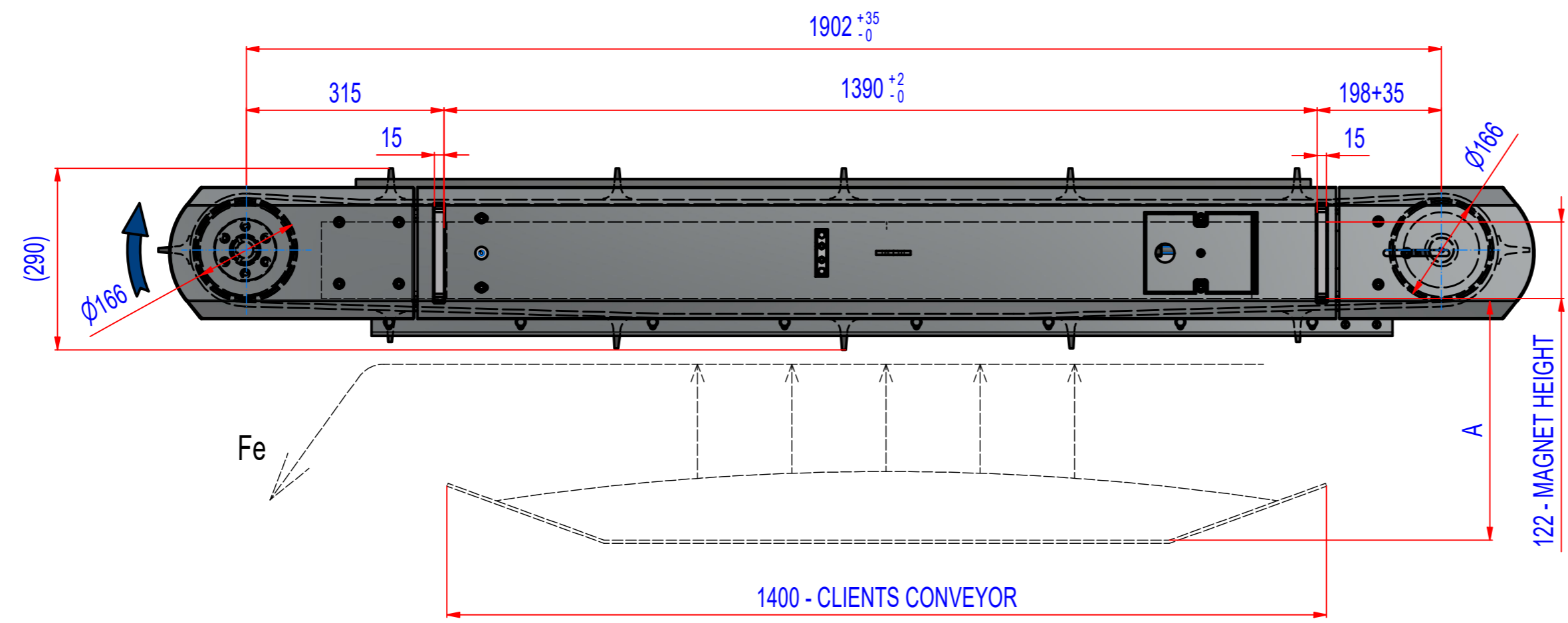


REV	DATE	BY	DESCRIPTION
-	07.01.2022	PH	Source RONC100541



A = 390 mm - max. catch distance for rod  $\phi 15$ , L=75 mm (VDE)  
A = 310 mm - 400 Gs

MAGNET :           MAGNETS NdFeB, FERRITTE, WATERPROOF  
FRAME:             MADE FROM AISI 304  
PROTECT PLATES:    AISI 304, 2-3mm  
BELT TYPE:          EP250/2 3+1,5, WIDTH 700, LENGTH 4350,  
                          12 CLEATS T50/20, WIDTH 600  
MOTOR:             Hydromotor OMR X 315, 11186652 (or equivalent)  
ACCESSORIES:       FRAME SIDE COVERS  
                          GREASING FROM LEFT AND RIGHT SIDE

Sheet: A2	Extra info:	General tolerance: ISO 2768 - cL
Drawn: PH	Weight (kg): 797.6	Drawn according: ISO268; ISO1101; ISO2553
Date: 07.01.2022		Status:
Predecessor:		Customer reference number:
Quick search:	© All rights reserved. Reproduction is not permitted without written permission of GOUDSMIT Magnetic Systems BV	Product key: ROP-N4-C-140-W-H-R-B-B-M-NA
Description: Overband magnet, NdFeB, size.4, W=1400, hydro motor	Part number: RONC140541	Rev: -