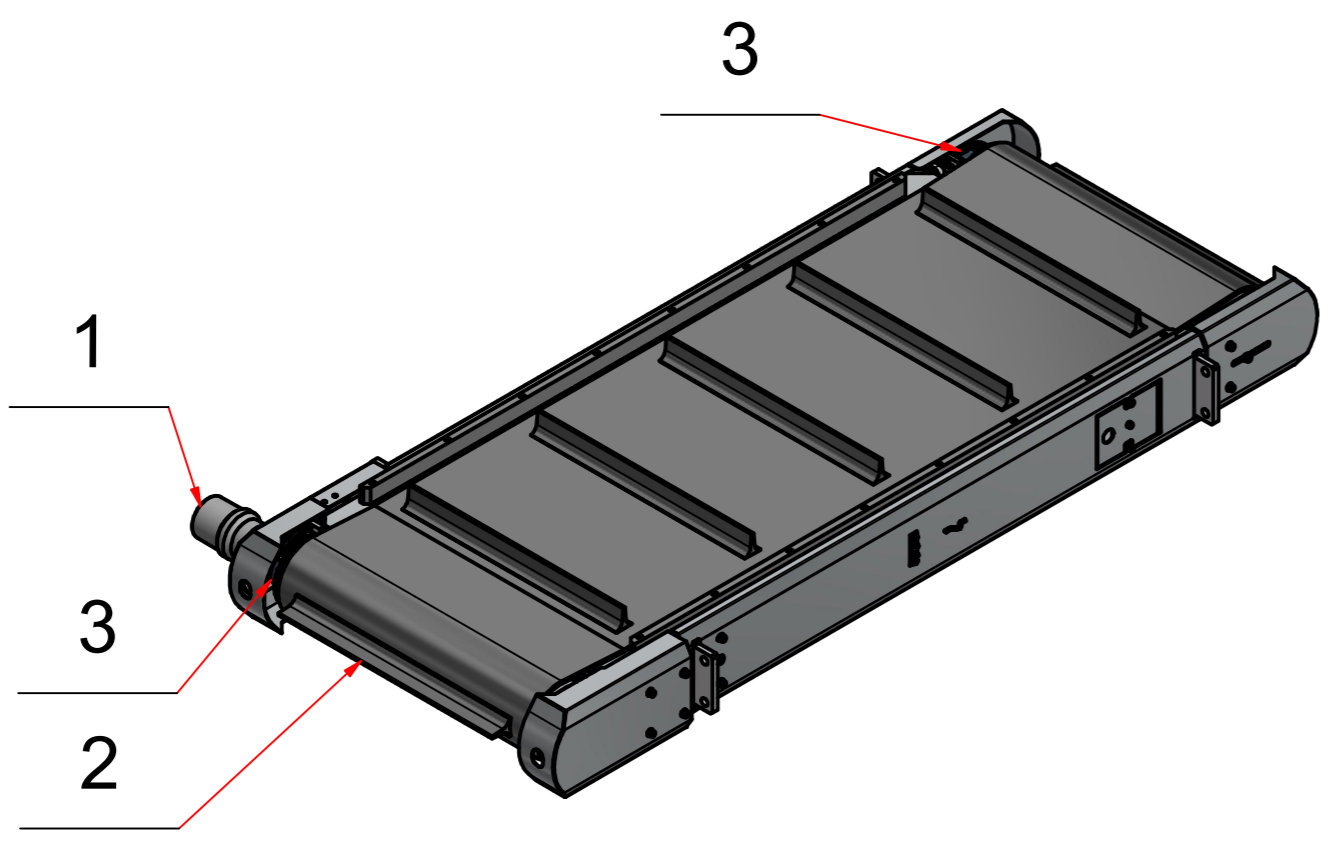
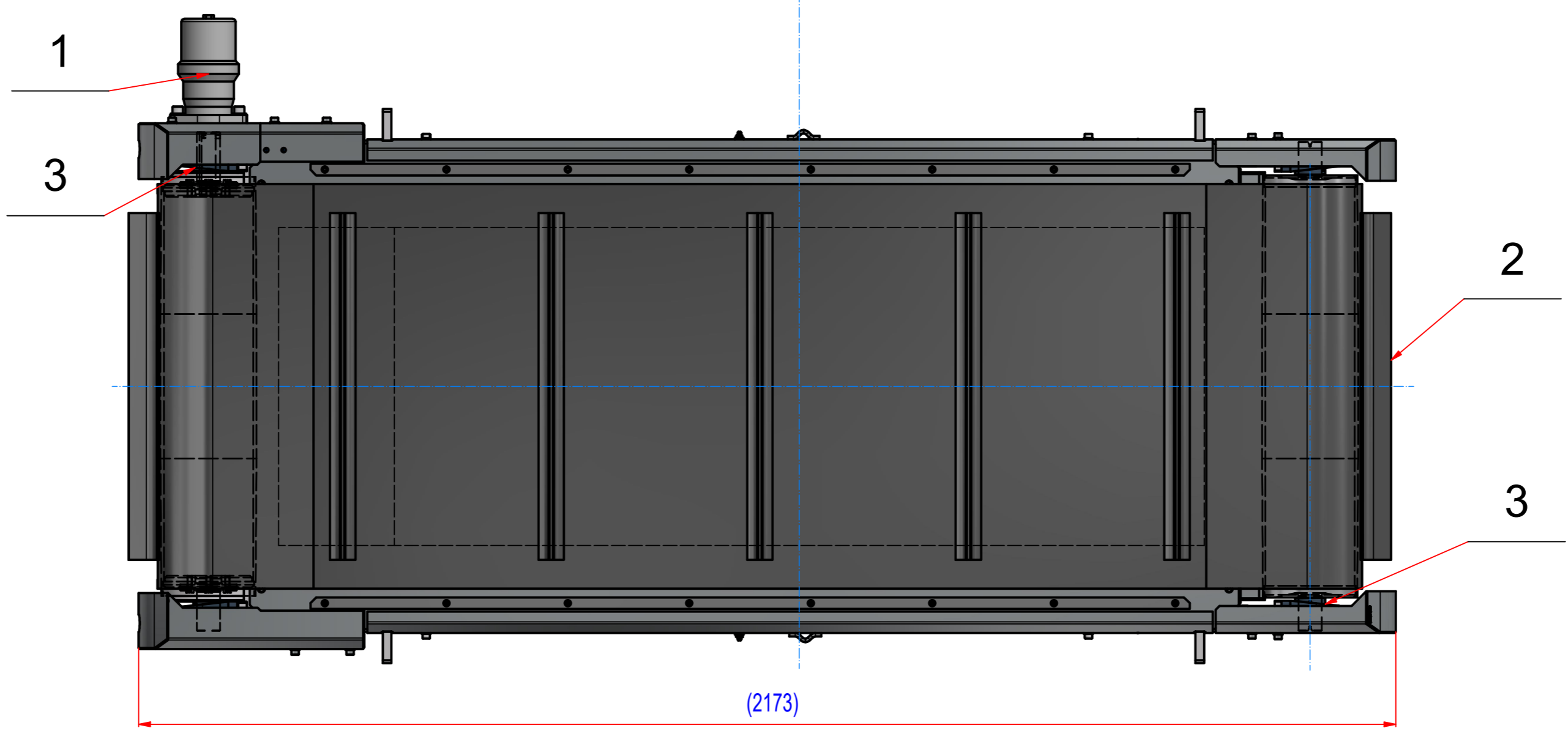
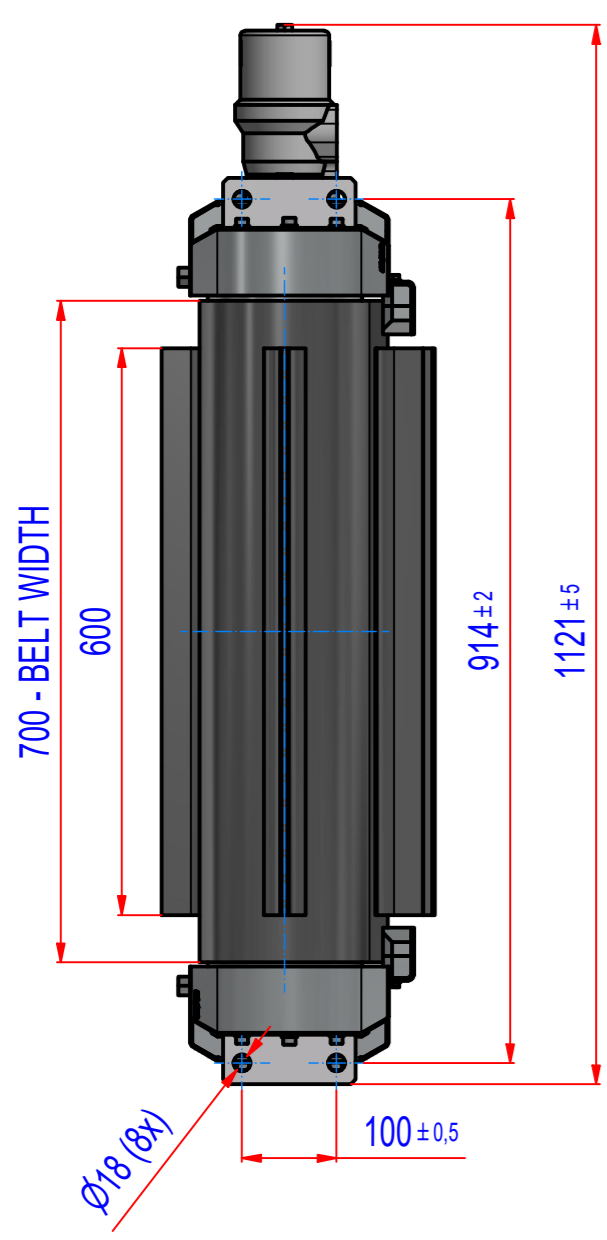
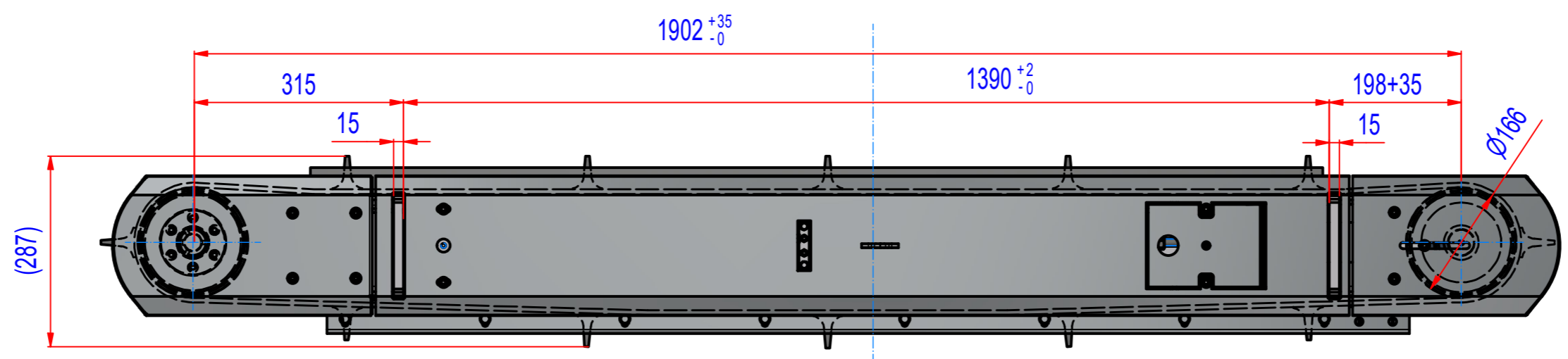


REV	DATE	BY	DESCRIPTION
-	07.01.2022	PH	Source RONC100541



POS.	PART NUMBER	DESCRIPTION	MATERIAL	WEIGHT	QTY
3	15_8900041	Bearing assy PSHEY 40		0,3	4
2	45_4070008	Belt EP250, w=700, L=4350	RUBBER	26,1	1
1	76_4090013	Hydromotor set OMR X 315		9	1

Sheet: A2 Drawn: PH Date: 07.01.2022 Predecessor: Quick search: Description: SPARE PARTS for overband magnet, NdFeB, size 4, W=1400	Extra info: Weight (kg): 797.6 <small>© All rights reserved. Reproduction is not permitted without written permission of GOUDSMIT Magnetic Systems BV</small>	General tolerance: ISO 2768 - cL Drawn according: ISO268; ISO1101; ISO2553 Status: Customer reference number: Product key: ROP-N4-C-140-W-H-R-B-B-M-NA Part number: RONC140541_SP Rev: -
--	---	--