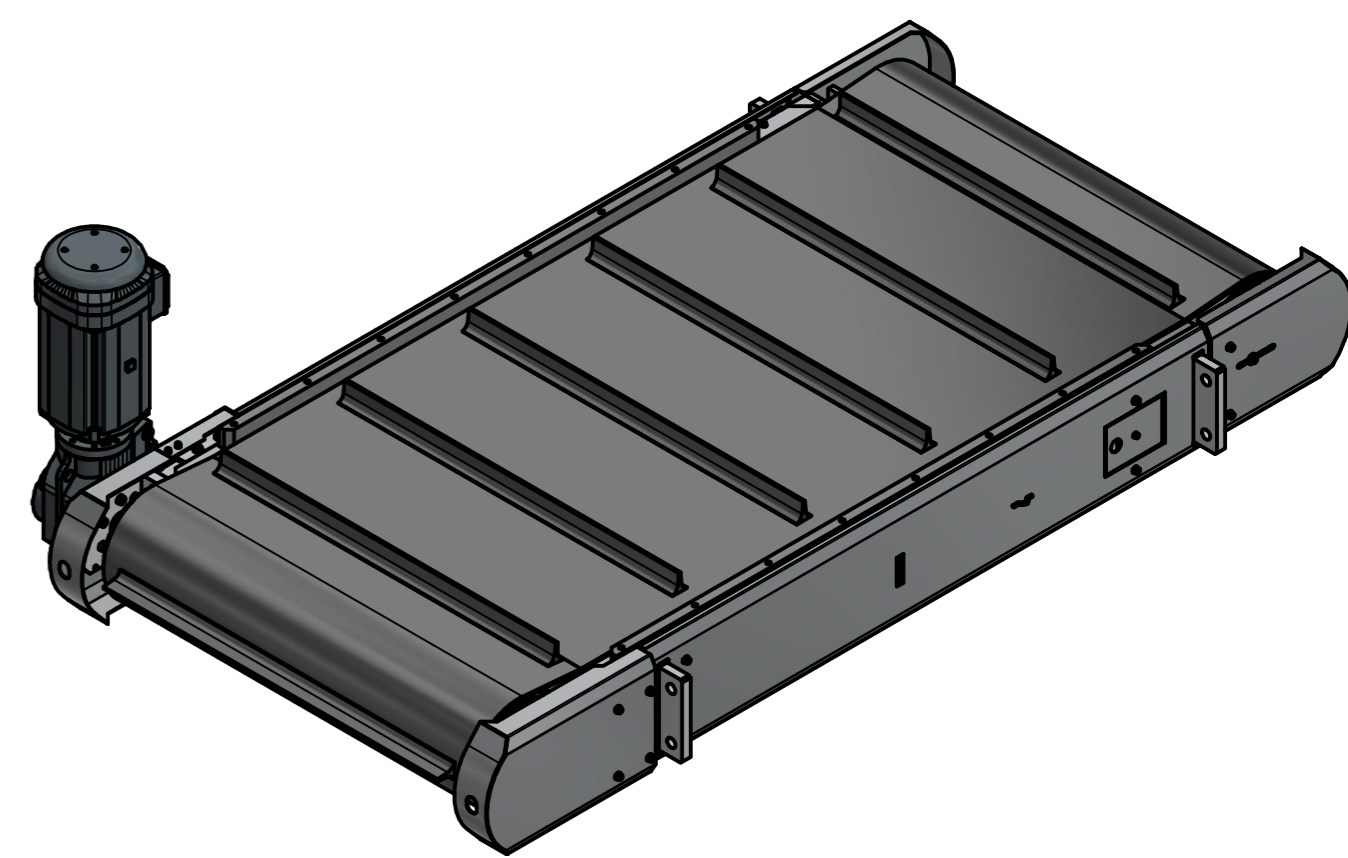
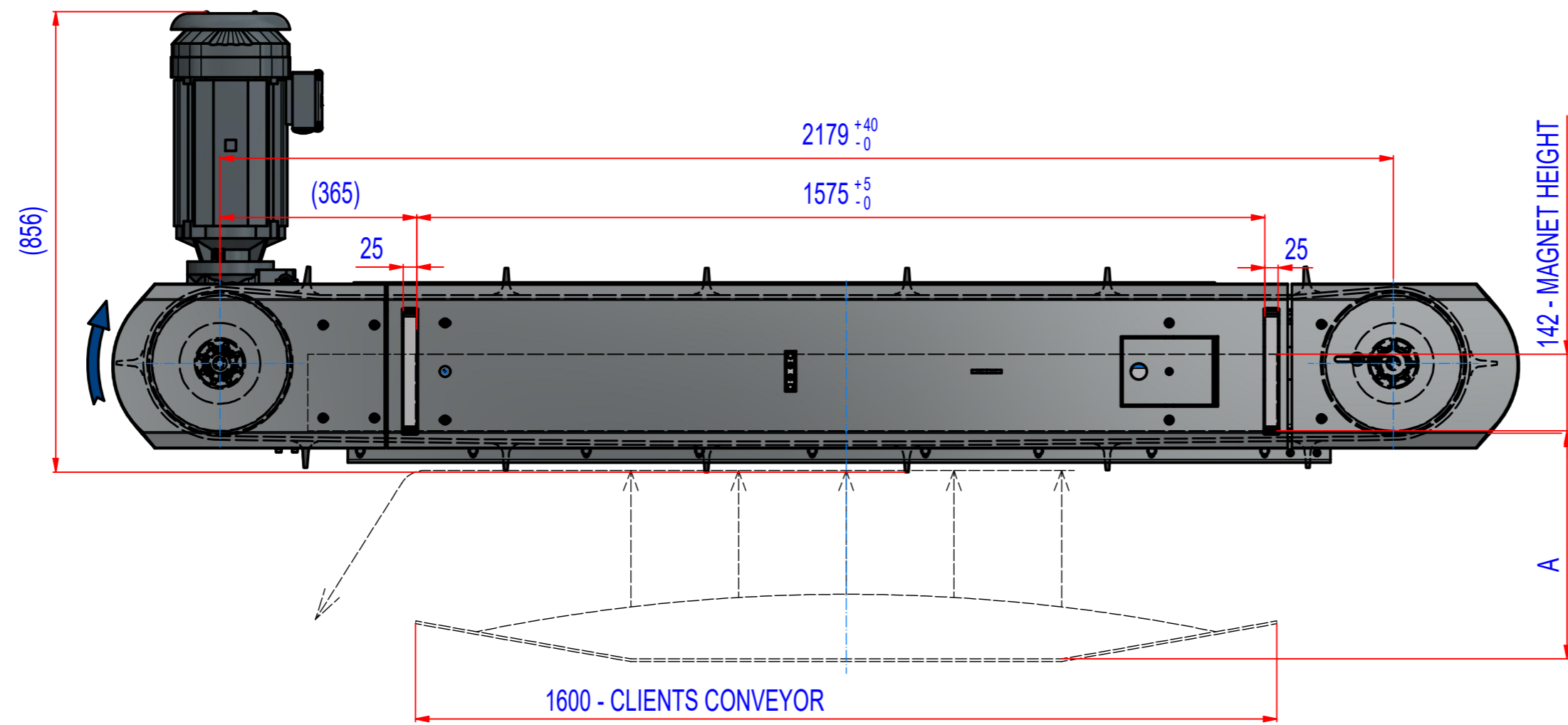
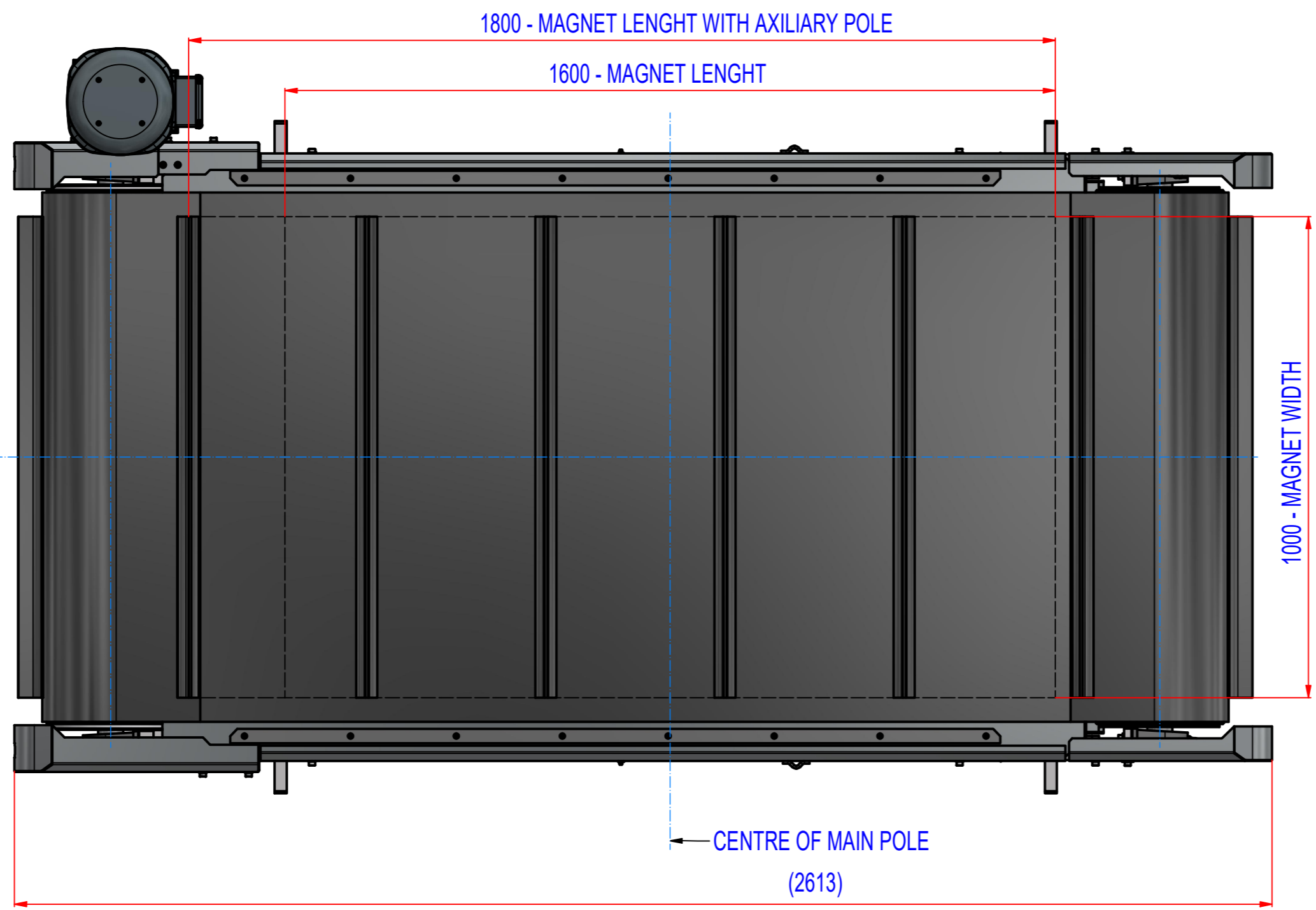
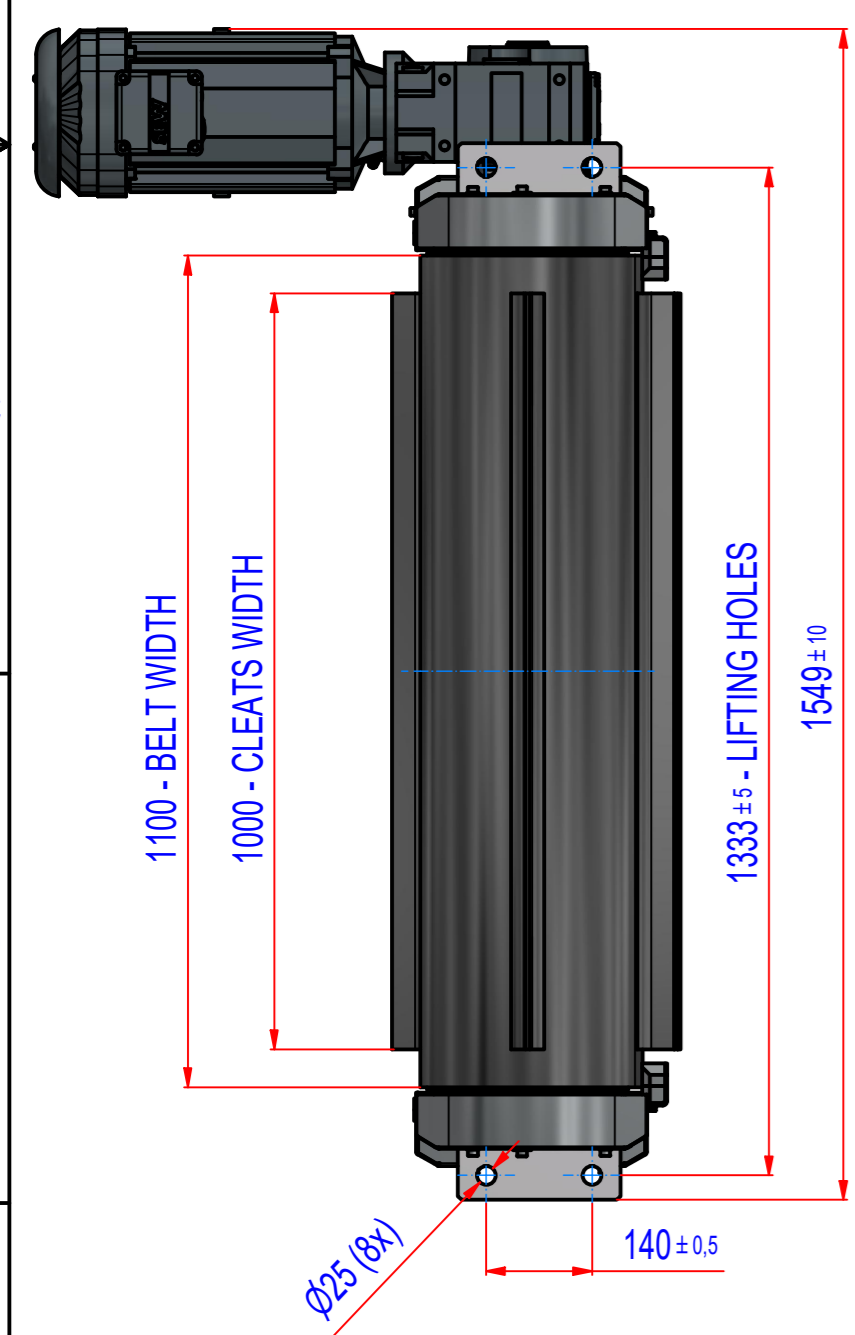


REV	DATE	BY	DESCRIPTION
-	13.11.2023	PH	Source RONC140351, SIZE N6, for belt 1600



A = 500 mm - max. catch distance for rod Ø15, L=75 mm (VDE)
A = 450 mm - 400 Gs



MAGNET :	MAGNETS NdFeB, FERRITTE, WATERPROOF
FRAME :	MADE FROM AISI 304
PROTECT PLATES :	AISI 304, 2-3mm
BELT TYPE :	EP400/3 4+2, WIDTH 1100, LENGTH 5240, 14 CLEATS T50/20, WIDTH 1000, COMPLETELY HOT VULCANISED
MOTOR :	SEW KA67DRN132S4/C, i=10,63(137RPM), 230/400V, 5,5kW, IP55
FINISH :	PAINTED / GRIT BLASTED (covering, frame)
ROLLERS :	STEEL, WITH CROWNING, RAL7022 (UMBRA GREY)
ACCESSORIES :	FRAME SIDE COVERS GREASING FROM LEFT AND RIGHT SIDE

Sheet: A2	Extra info:	General tolerance: ISO 2768 - cL
Drawn: PH	Weight (kg): 1816.6	Drawn according: ISO268; ISO1101; ISO2553
Date: 13.11.2023		Status:
Predecessor:		Customer reference number:
Quick search:	© All rights reserved. Reproduction is not permitted without written permission of GOUDSMIT Magnetic Systems BV	Product key: ROP-N6-C-160-W-G-R-B-B-M-NA
Description: Overband magnet, NdFeB, size.6, W=1600, gear motor	Part number: RONC160361	Rev: -