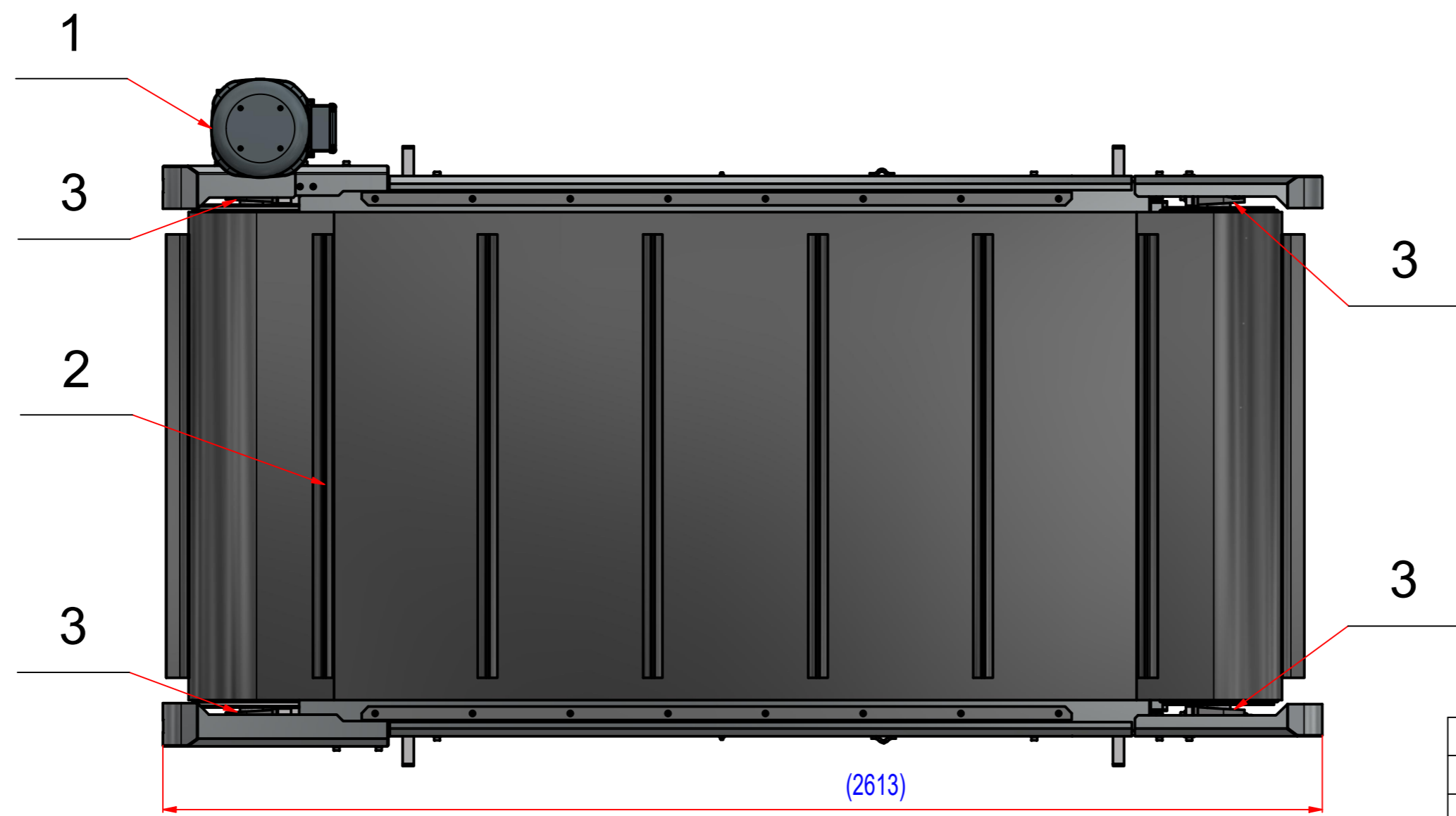
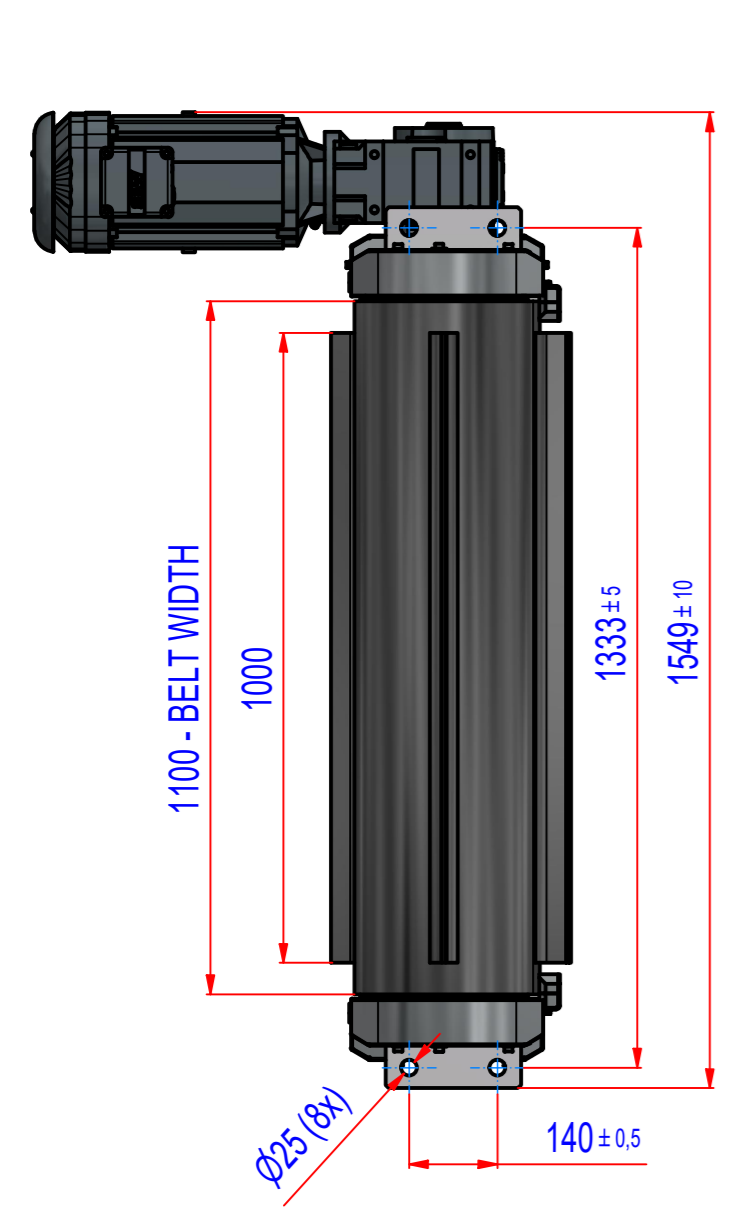
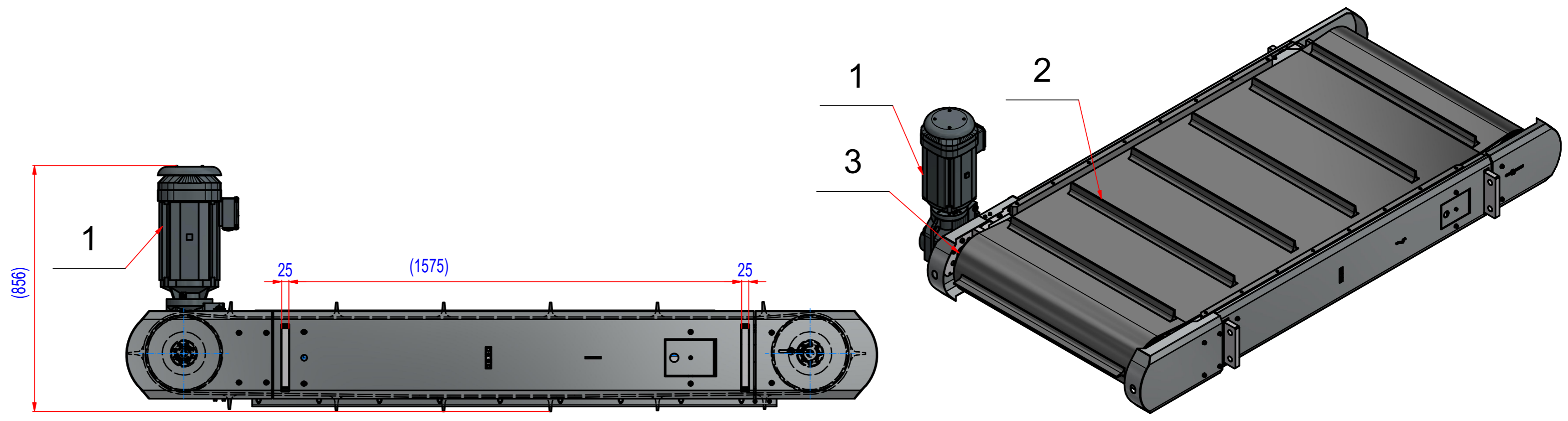


REV	DATE	BY	DESCRIPTION
-	13.11.2023	PH	Source RONC140351, Size N6, for belt 1600



POS.	PART NUMBER	DESCRIPTION	MATERIAL	WEIGHT	QTY
3	15 8900050	Bearing assy PSHE 50		2,5	4
2	45 4110010	Belt rubber EP 400/3 4+2, w=1100, L=5240	RUBBER	49,5	1
1	MS55013701	Drive SEW KA67DRN132S4/C, 5,5kW, i=10,63		86	1

Sheet: A2 Drawn: PH Date: 13.11.2023 Predecessor:	Weight (kg): 1816.6 Date: 13.11.2023 Predecessor:	Extra info: © All rights reserved. Reproduction is not permitted without written permission of GOUDSMIT Magnetic Systems BV.	General tolerance: ISO 2768 - cL Drawn according: ISO268; ISO1101; ISO2553 Status: Customer reference number: Product key: ROP-N6-C-160-W-G-R-B-B-M-NA Part number: RONC160361_SP Rev: -
---	---	---	--

Description: **SPARE PARTS for overband magnet, NdFeB, size.6, W=1600**