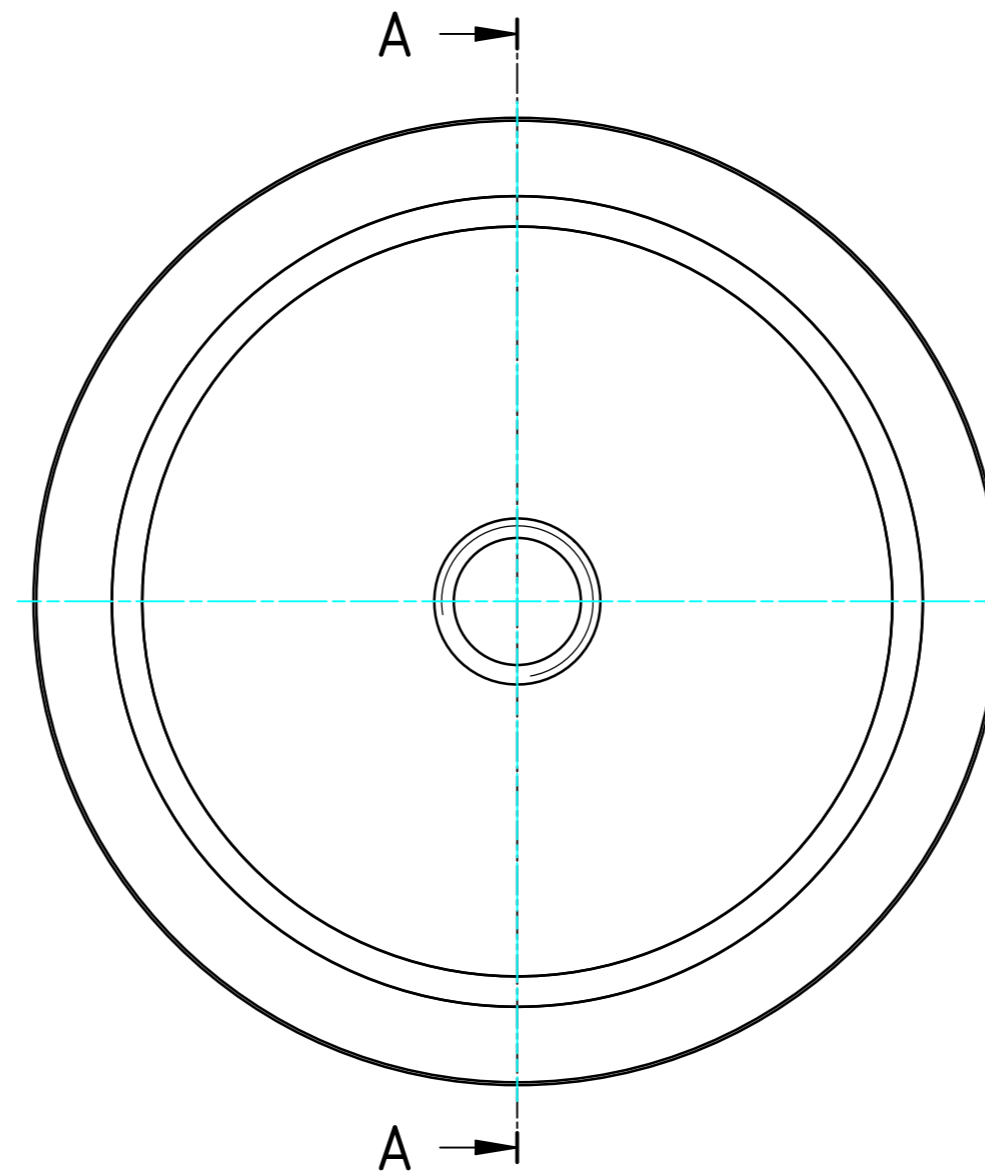
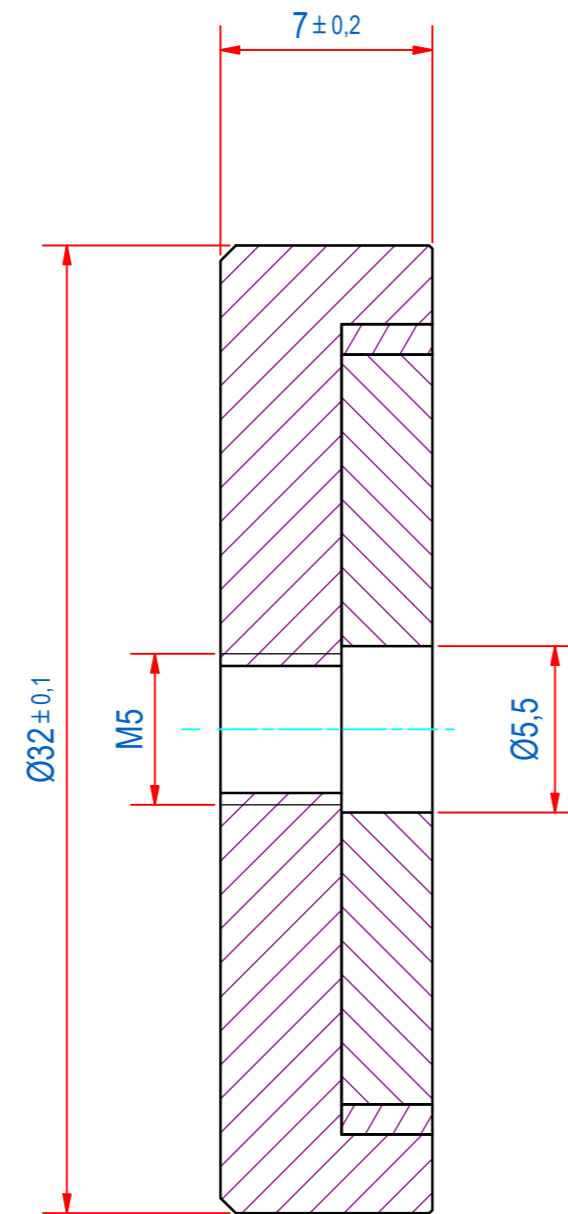
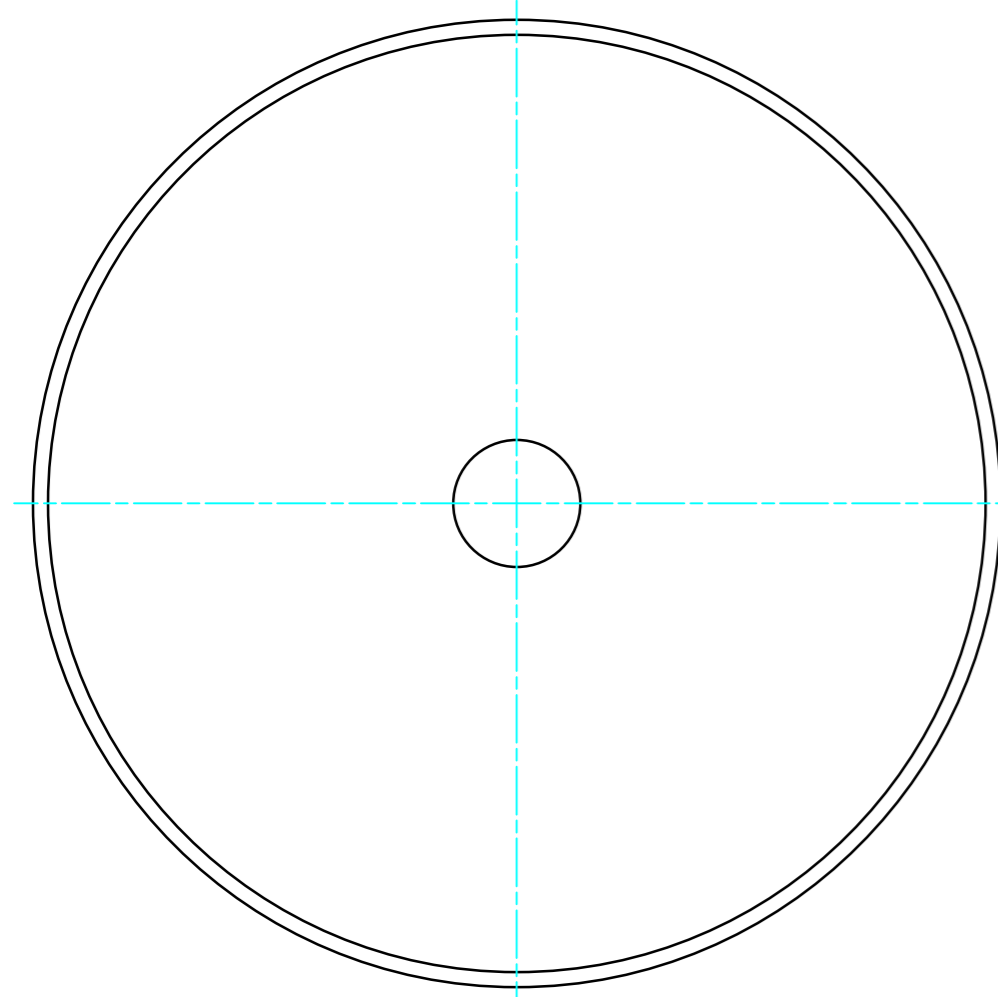
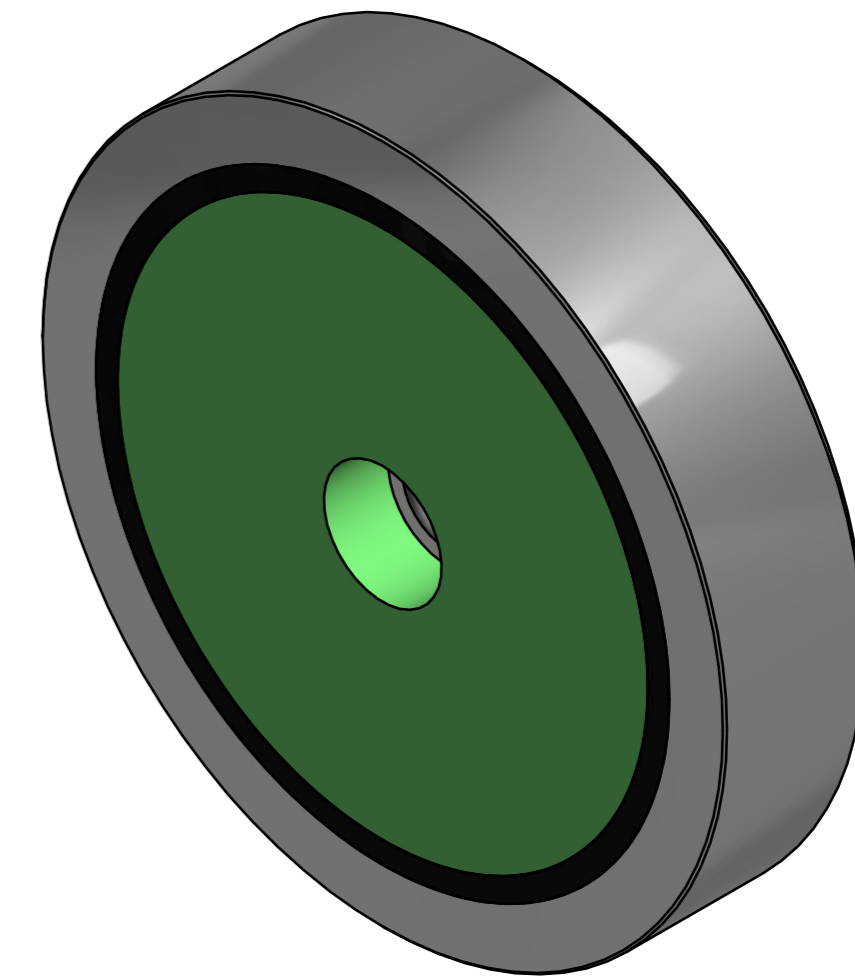


DOC.NR.	REV	DATE	BY	DESCRIPTION
E0120901	-	1-10-2019	PV	ORIGINAL DRAWING



SURFACE TREATMENT: ZINC PLATED

RAW MAT.	1	Quantity	Material Number	Material Description	Length (mm)	Width (mm)
Symbol	Sheet: A2	Extra info: POTMAGNET NEODYMIUM	General tolerance: ISO 2768- mK			
Drawn: PV	Weight (kg): 0,041	Drawn according: ISO268; ISO1101; ISO2553				
Date: 19-8-2019	Source:	Status: Standard				
Spare part: False	Quick search: POTGM	Customer reference number:				
Description: PM-TI-N-SG-D32x7xM5		Document number: E0120901		Doc.Rev: -		
		Part number: GM17438		Rev: -		