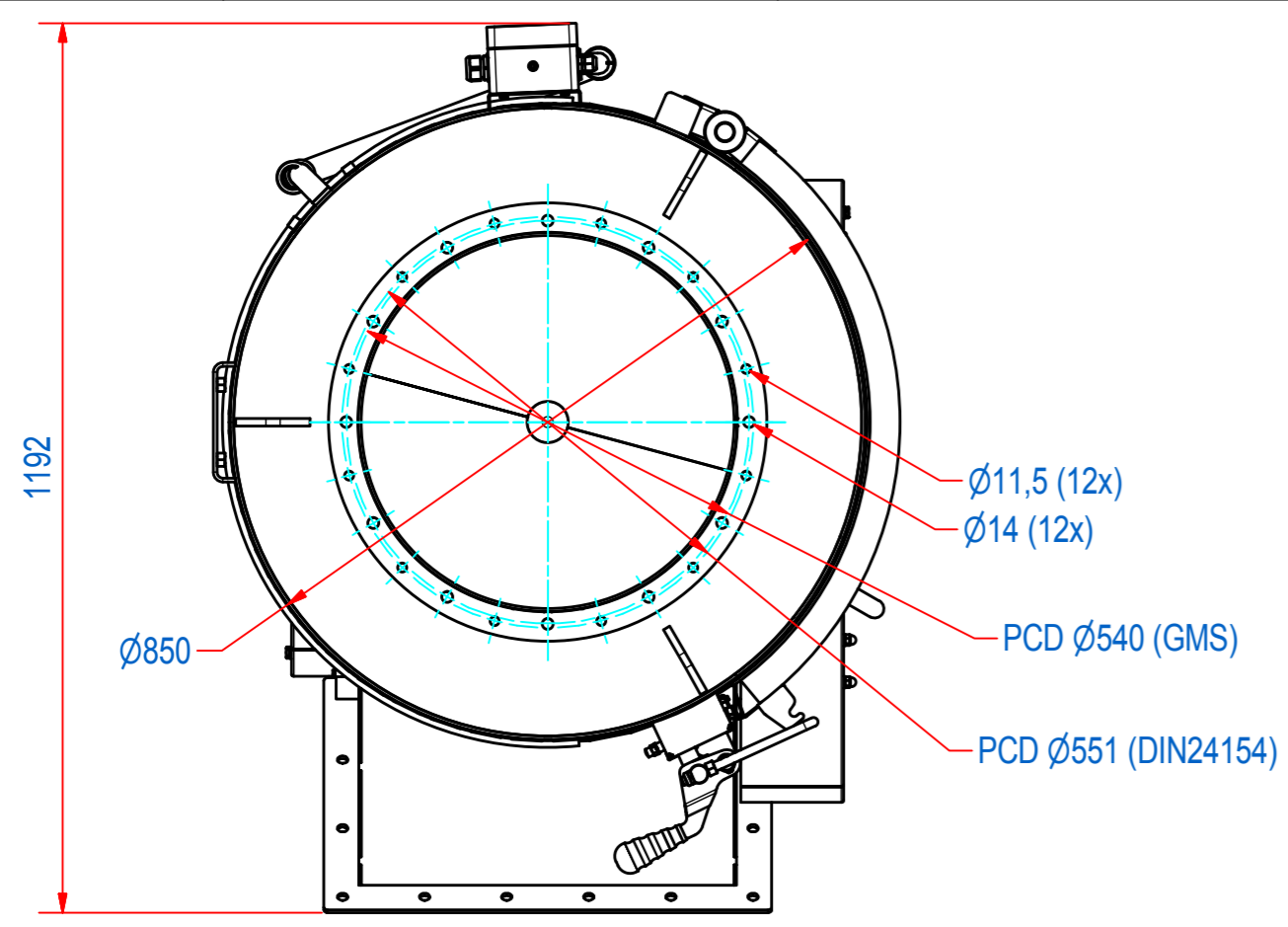
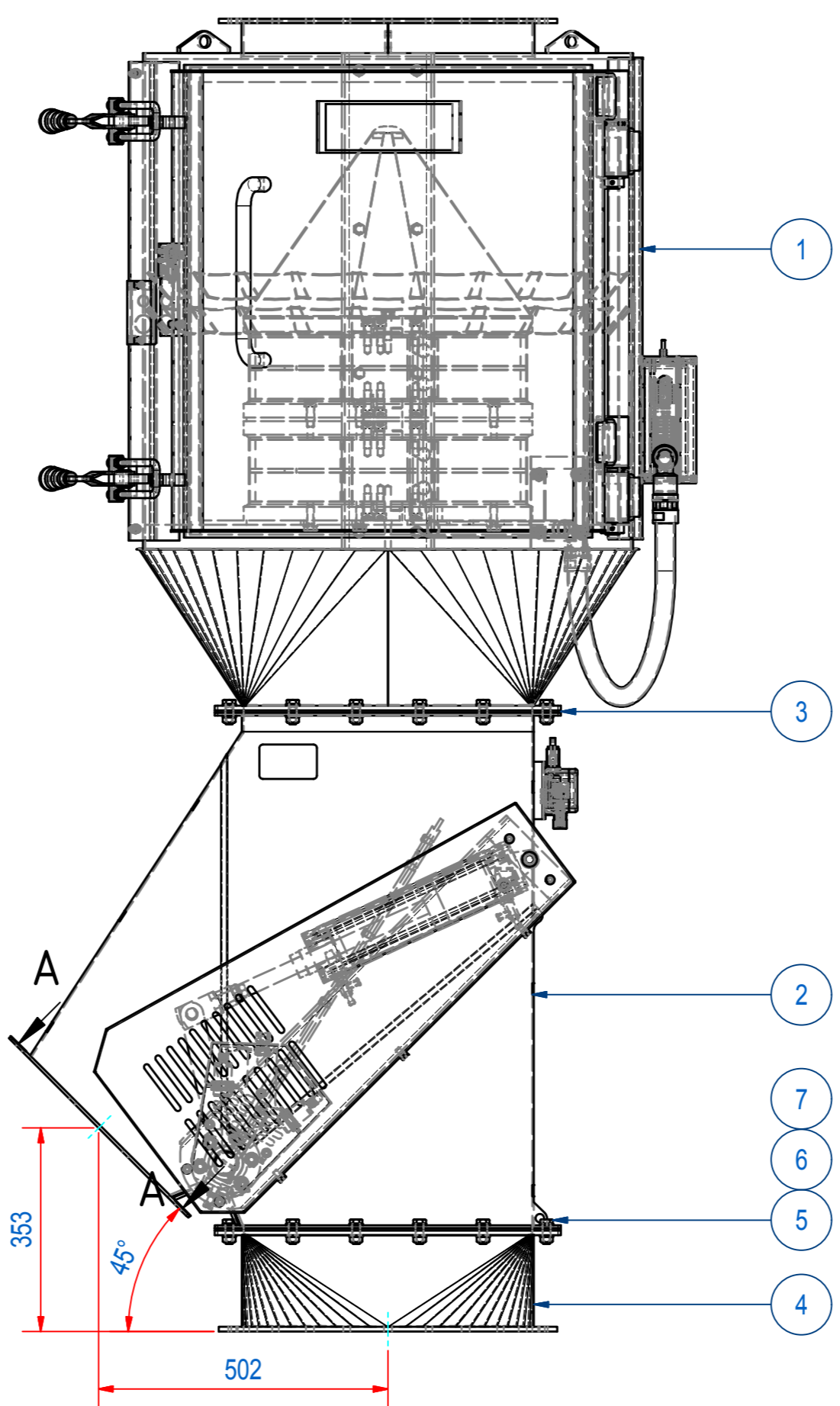
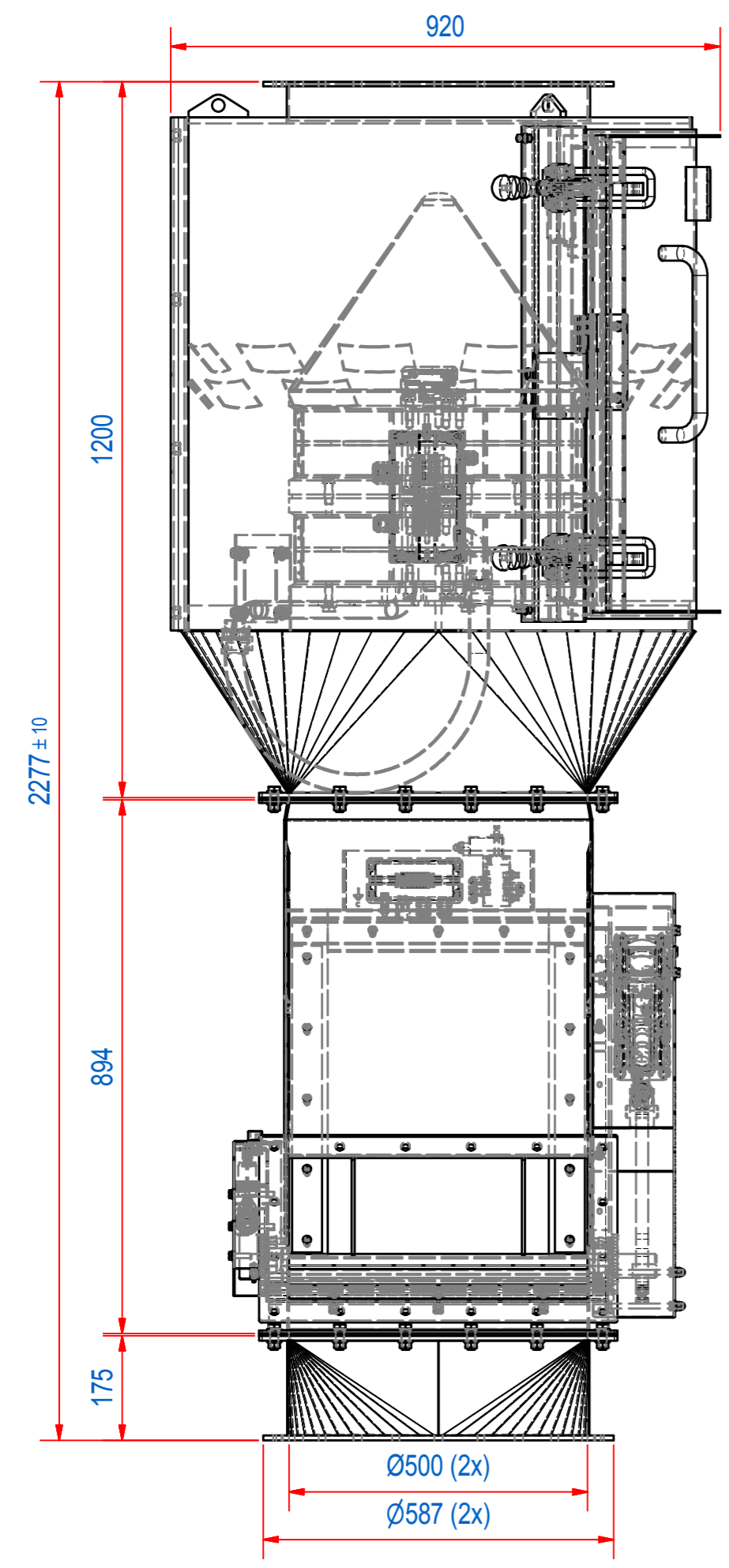
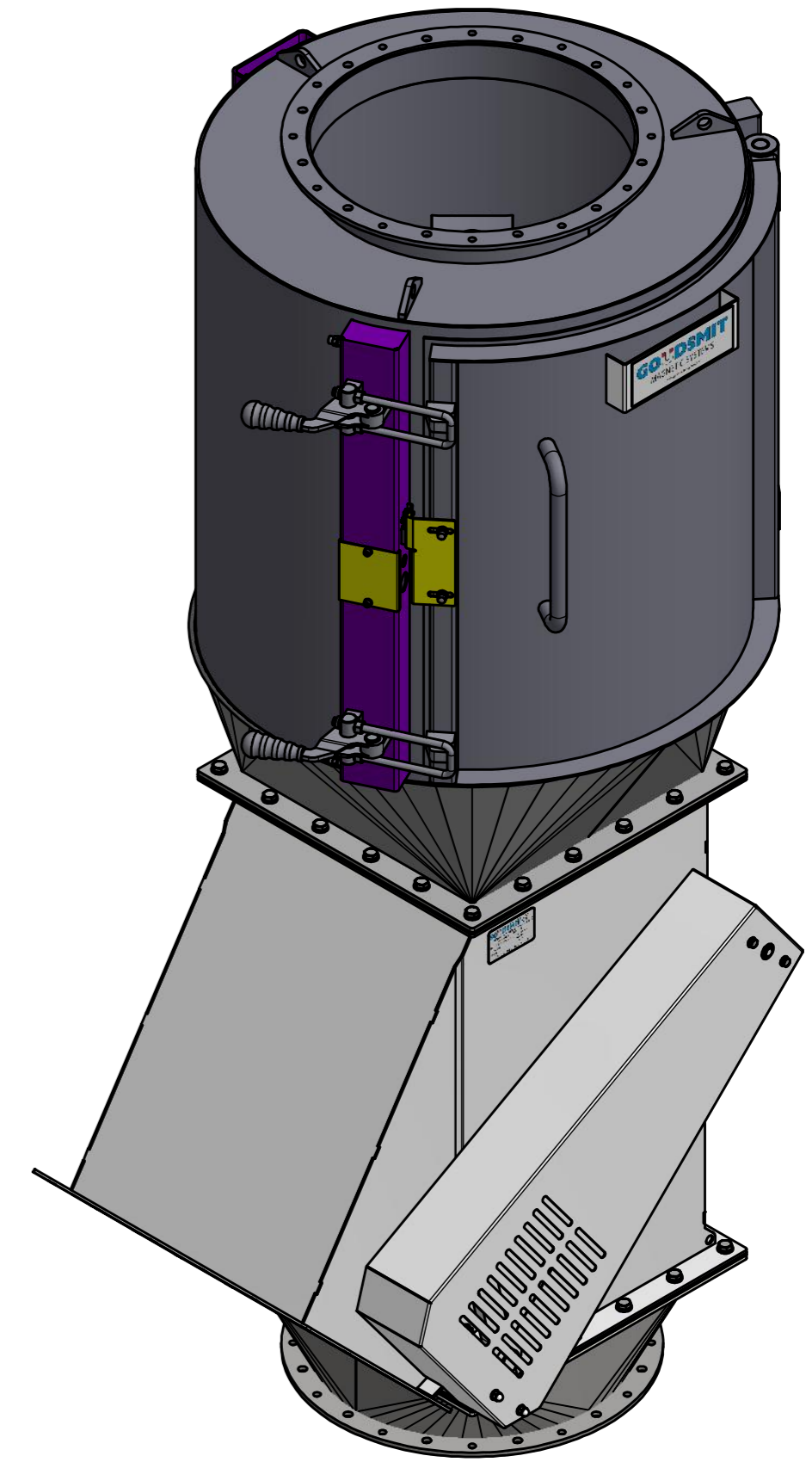
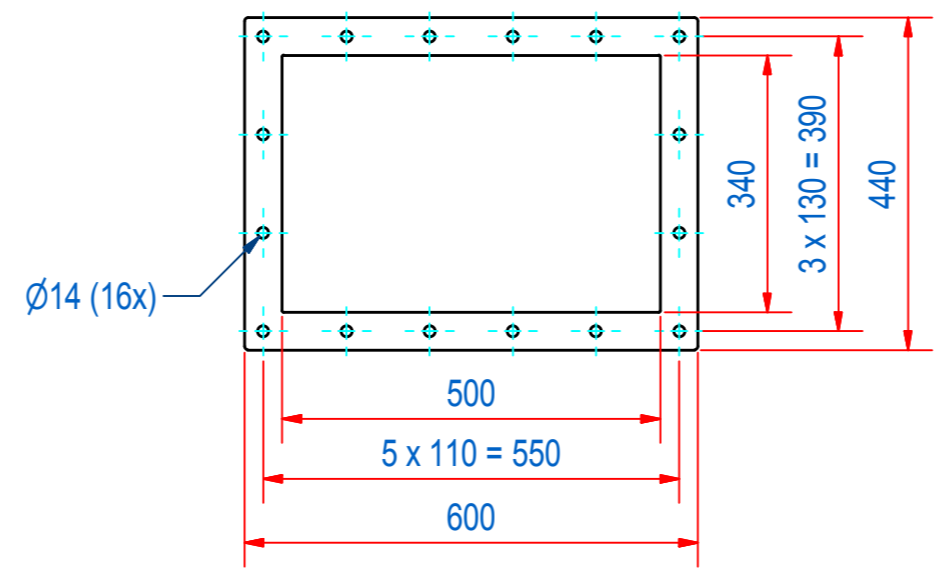


REV	DATE	BY	DESCRIPTION
-	7-1-2014	AvD	ORIGINAL INVENTOR DRAWING
A	1-7-2014	CR	HEIGHT CHANGED: 2277MM WAS 2377MM



A-A
FLANGE OUTLET



ATEX VERSION REFERS TO KEMA SCHEDULED DRAWING NR'S: M79009, M79010, M79011, M79012, M79014 AND M60398

ITEM	QTY	PART NUMBER	DESCRIPTION	Dimensions
7	40	60.0200012	NUT, HEX M12 - A2	M12
6	80	70.0200012	WASHER M 12- A2	M 12
5	40	50.1212035	BOLT, HEX M12x35 - A2	M12x35
4	1	SERE505025	RED #500-D500 H175 DIN24154 304L	
3	2	SGAF505051	GASKET 600x500 MVQ SILICONE	
2	1	SPKK500006	SPKK-S-500-900-C-Ex	
1	1	SPAE000066	SPA-6-B-FI-OS-ST-Ex-D-B	

RAW MAT.	QTY	MAT. NUMBER	MAT. DESCRIPTION	LENGTH (mm)	WIDTH (mm)
	1			0	0

Sheet: A2	Extra info:	General tolerance: ISO 2768 - mK
Drawn: CR	Weight (kg): 661,6	Drawn according: ISO268; ISO1101; ISO2553
Date: 13-12-2013		Status: Standard
Spare part: False		Customer reference number:
Quick search: EM6 EX		File number: SPAA001066
Description: SPA-6-V-FI-FO-ST-Ex-D-B		Part number: SPAA001066